

To AS 2638.2, reduced weight and environmentally friendly  
Stem sealing exchangeable under pressure  
Socket ends to AS/NZS 2280 / AS 1477 Type 2 or AS 1477 Type 1

**Use:**

- For water, sewage and neutral liquid applications
  - Valve designed for use up to 70°C
  - Where applicable; for AS 4020 compliance, max temp = 40°C
- Note: Always observe pipe material recommended operating temperatures

**Tests:**

- Hydraulic test to AS 2638.2:
  - Seat: 17.6 bar
  - Body: 24 bar
  - Operating torque test

**Optional Extras:**

- Anchor legs for DN100 & DN150 only (ordered separately)
- Stem cap (refer to series 2570/50)
- ISO flange for gearbox/actuation (refer to series 2570/52)



Quality  
ISO 9001

SAI GLOBAL



Health & Safety  
AS 4801

SAI GLOBAL



Environment  
ISO 14001

SAI GLOBAL



Australian  
Standard  
AS2638.2

Lic. SMK02420  
SAI Global





## SUREFLOW RESILIENT SEAT GATE VALVE PN16, HANDWHEEL

2570/78

To AS 2638.2, reduced weight and environmentally friendly  
Stem sealing exchangeable under pressure  
Socket to AS/NZS 2280 / AS 1477 Type 2 or AS 1477 Type 1  
Flange and drilling to AS 4087 Figure B5 (AS 2129 Table D and raised face)

### Use:

- For water, sewage and neutral liquid applications
  - Valve designed for use up to 70°C
  - Where applicable; for AS 4020 compliance, max temp = 40°C
- Note: Always observe pipe material recommended operating temperatures

### Tests:

- Hydraulic test to AS 2638.2:
  - Seat: 17.6 bar
  - Body: 24 bar
  - Operating torque test

### Optional Extras:

- Stem cap (refer to series 2570/70)
- ISO flange for gearbox/actuation (refer to series 2570/72)



Quality  
ISO 9001



Health & Safety  
AS 4801



Environment  
ISO 14001



DN100



DN150



Australian  
Standard  
AS 2638.2

Lic. SMK02420

SAI Global





## SUREFLOW RESILIENT SEAT GATE VALVE PN16, HANDWHEEL

2570/98

To AS 2638.2, reduced weight and environmentally friendly

Stem sealing exchangeable under pressure

Face to face dimension to AS 2638.2

Flange and drilling to AS 4087 Figure B5 (AS 2129 Table D and raised face) or AS 2129 Table E and raised face

### Use:

- For water, sewage and neutral liquid applications
  - Valve designed for use up to 70°C
  - Where applicable; for AS 4020 compliance, max temp = 40°C
- Note: Always observe pipe material recommended operating temperatures

### Tests:

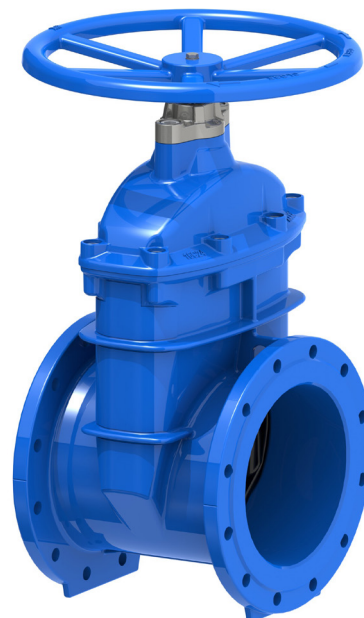
- Hydraulic test to AS 2638.2:
  - Seat: 17.6 bar
  - Body: 24 bar
  - Operating torque test

### Optional Extras:

- Stem cap (refer to series 2570/90)
- ISO flange for gearbox/actuation (refer to series 2570/92)



DN80, 100



DN225, 250, 300, 375, 400



Quality  
ISO 9001



Health & Safety  
AS 4801



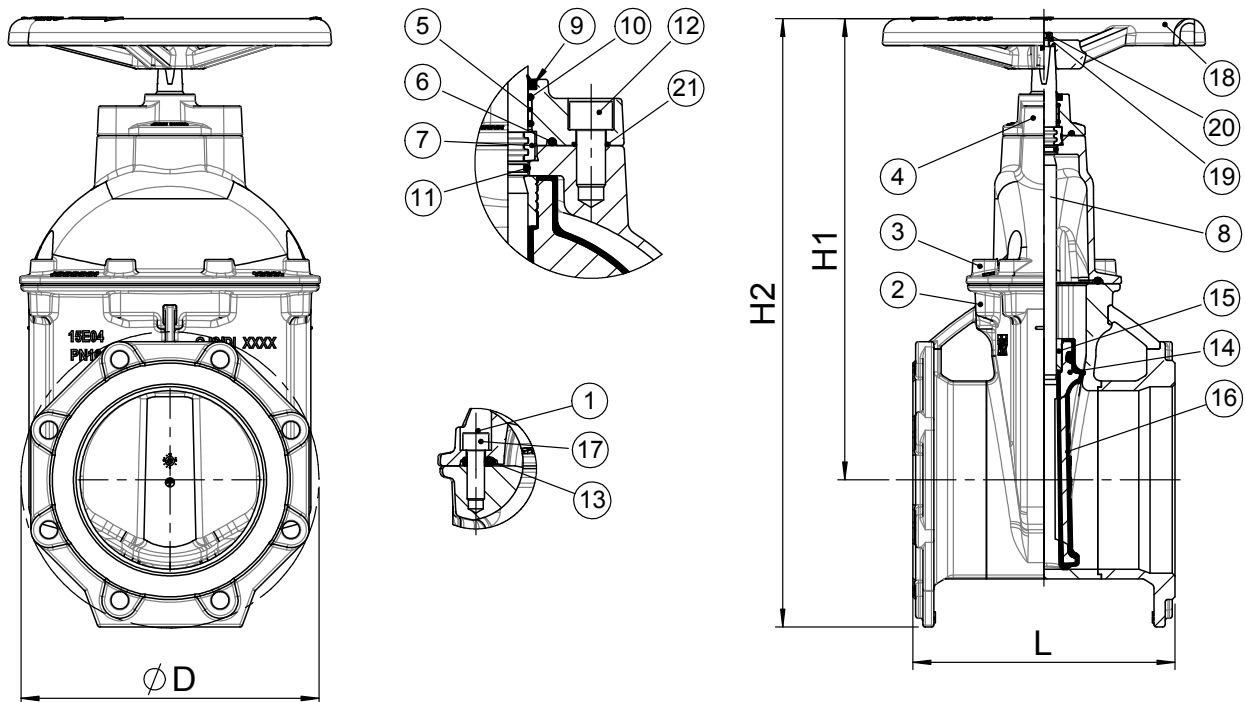
Environment  
ISO 14001



Australian  
Standard

AS2638.2:2011  
Lic. SMK02420  
SAI Global





**Component list**

1. Hot melt seal		13. Bonnet gasket	EPDM rubber
2. Body	Ductile Iron, 500-7 to AS 1831	14. Wedge	Ductile Iron, 500-7 to AS 1831
3. Bonnet	Ductile Iron, 500-7 to AS 1831	15. Wedge nut	Dezincification resistant brass, CZ 132 to AS 2345
4. Gland flange	Stainless Steel CF8M	16. Wedge rubber	EPDM
5. Bushing	Polyamid	17. Bolt socket	Stainless Steel 316, fully encapsulated with hot melt glue
6. O-ring	NBR	18. Handwheel	Ductile Iron, 500-7 to AS 1831, 35mm cap square
7. Thrust collar	Dezincification resistant brass, CZ 132 to AS 2345	19. Washer	Polypropylene
8. Stem	Stainless Steel 431	20. Bolt hex	Stainless Steel 316
9. Wiper ring	NBR	21. O-ring	NBR
10. O-ring	NBR		
11. O-ring	NBR		
12. Bolt socket	Stainless Steel 316, fully encapsulated with hot melt glue		

Components can be substituted with equivalent or higher class materials.

**Reference nos. and dimensions - Flange drilling to AS 4087 Figure B5 (AS 2129 Table D)**

Sureflow ref. nos. CC	Sureflow ref. nos. ACC	DN mm	L mm	H1 mm	H2 mm	D mm	Hole OD mm	Holes nos.	Bolt PCD	Stem SQR	Handwheel OD mm	Weight kg
2570-080-980540120	2570-080-981540120	80	203	317	390	190	18	4	146	19	280	15
2570-100-980540120	2570-100-981540120	100	229	340	423	218	18	4	178	19	280	18
2570-150-980540120	2570-150-981540120	150	267	423	565	285	18	8	235	19	280	34
2570-200-980540120	2570-200-981540120	200	292	517	682	332	18	8	292	24	360	56
2570-225-980540120	2570-225-981540120	225	305	604	789	370	18	8	324	27	500	94
2570-250-980540120	2570-250-981540120	250	330	617	819	405	22	8	356	27	500	100
2570-300-980540120	2570-300-981540120	300	356	700	927	455	22	12	406	27	500	133
2570-375-980540120	2570-375-981540120	375	381	863	1138	550	26	12	495	32	640	240
2570-400-980540120	2570-400-981540120	400	406	875	1165	580	26	12	521	32	640	251

## Reference nos. and dimensions - Flange drilling to AS 2129 Table E

Sureflow ref. nos. CC	Sureflow ref. nos. ACC	DN mm	L mm	H1 mm	H2 mm	D mm	Hole OD mm	Holes nos.	Bolt PCD	Stem SQR	Handwheel OD mm	Weight kg
2570-080-980540120	2570-080-981540120	80	203	317	390	190	18	4	146	19	280	15
2570-100-980640120	2570-100-981640120	100	229	340	423	218	18	8	178	19	280	20
2570-150-980640120	2570-150-981640120	150	267	423	565	285	22	8	235	19	280	34
2570-200-980640120	2570-200-981640120	200	292	517	682	332	22	8	292	24	360	56
2570-225-980640120	2570-225-981640120	225	305	604	789	370	22	12	324	27	500	94
2570-250-980640120	2570-250-981640120	250	330	617	819	405	22	12	356	27	500	100
2570-300-980640120	2570-300-981640120	300	356	700	927	455	26	12	406	27	500	133
2570-375-980540120	2570-375-981540120	375	381	863	1138	550	26	12	495	32	640	240
2570-400-980540120	2570-400-981540120	400	406	875	1165	580	26	12	521	32	640	251



## SUREFLOW RESILIENT SEAT GATE VALVE PN16, HANDWHEEL

2570/68

To AS 2638.2, reduced weight and environmentally friendly  
Stem sealing exchangeable under pressure  
Spigot ends to AS/NZS 2280 Figure J23

### Use:

- For water, sewage and neutral liquid applications
  - Valve designed for use up to 70°C
  - Where applicable; for AS 4020 compliance, max temp = 40°C
- Note: Always observe pipe material recommended operating temperatures

### Tests:

- Hydraulic test to AS 2638.2:
  - Seat: 17.6 bar
  - Body: 24 bar
  - Operating torque test

### Optional Extras:

- Stem cap (refer to series 2570/60)
- ISO flange for gearbox/actuation (refer to series 2570/62)



Quality  
ISO 9001  
SAI GLOBAL



Health & Safety  
AS 4801  
SAI GLOBAL



Environment  
ISO 14001  
SAI GLOBAL









**SUREFLOW METAL SEATED GATE VALVE, 16 BAR , DN 80-300**  
**Flanged ends, drilling to AS/NZS 4087 B5, Handwheel, CC/ACC**

**2580/98**

Sureflow metal seated wedge gate valves are primarily designed for the flow isolation of a length of pipeline or piece of equipment. It uses a ductile iron gate that houses bronze rings to ensure a watertight seal.

**Product description:**

Metal seat gate valve for water, sewage and neutral liquids to max. 70°C

**Standards:**

- Designed according to AS/NZS 2638.1
- Flange drilling to AS/NZS 4087 figure B5 PN16

**Test/Approvals:**

- Seat: 1.1 x PN. Body: 1.5 x PN.

**Features:**

- Bronze wedge nut with lubricating abilities providing optimum compatibility with stem
- The wedge face ring is machined to a fine surface finish to ensure optimum mating with body seat ring
- Wedge with guides, which ensure uniform closure
- A large through bore housing for the stem in the wedge prevents stagnant water or impurities
- Stainless steel stem and bolts for increased corrosion resistance
- Seal housing incorporates inner/outer O-ring seals and wiper ring for long life operation
- Stem sealing replaceable under pressure
- Round bonnet gasket fixed in a recess groove preventing it from being blown out by pressure surges
- Bonnet bolts encircled by the bonnet gasket and gland bolts encircled by O-ring, thus there is no risk of corrosion
- Full bore
- Blue fusion bonded epoxy according to AS/NZS 4158

**Accessories:**

Stem cap



Quality  
ISO 9001  
SAI GLOBAL



Health & Safety  
AS 4801  
SAI GLOBAL



Environment  
ISO 14001  
SAI GLOBAL



Australian  
Standard  
AS2638.1  
Lic. SMK02420  
SAI Global  
WaterMark

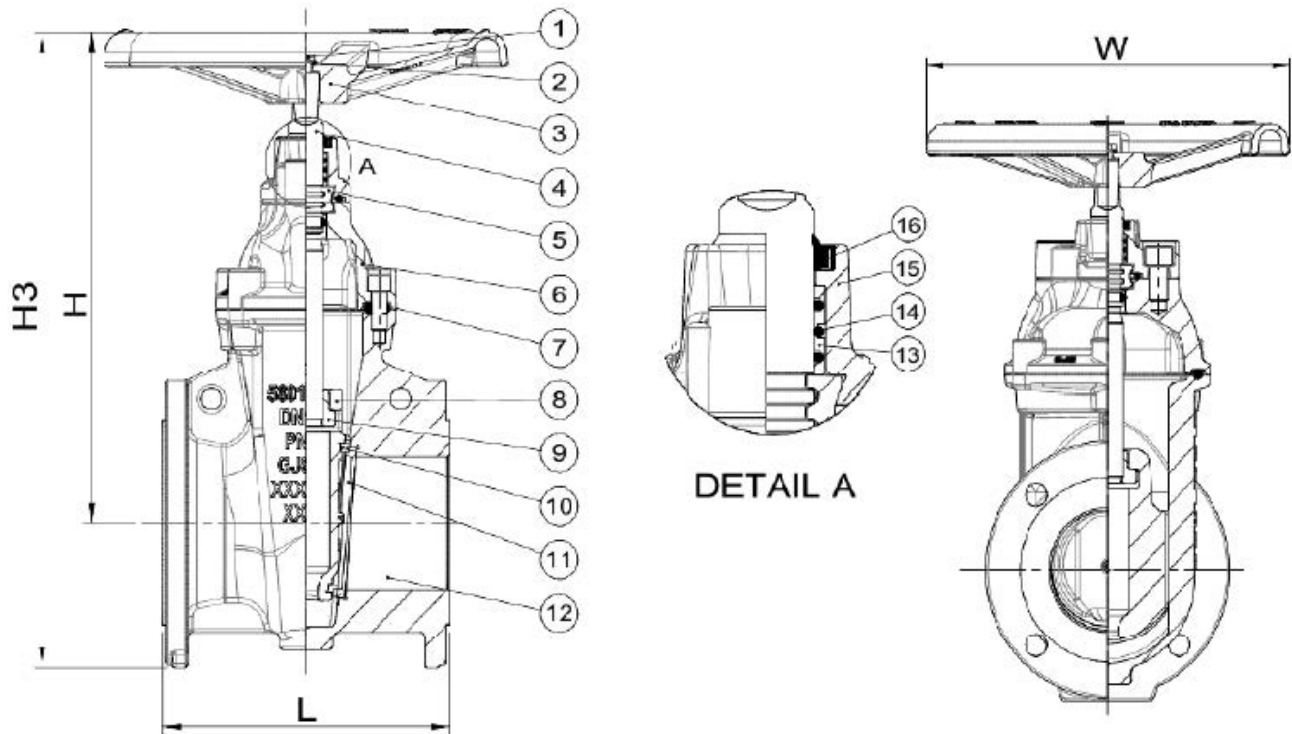


**sureflow®**

# SUREFLOW METAL SEATED GATE VALVE, 16 BAR , DN 80-300

2580/98

Flanged ends, drilling to AS/NZS 4087 B5, Handwheel, CC/ACC



## Component list:

1. Bolt	Stainless steel A4-70	9. Wedge nut	Bronze CC331G (AB1)
2. Washer	Stainless steel A4-70	10. Face ring	Bronze CC491K (LG2)
3. Handwheel	Ductile iron GJS-500-7 (GGG-50)	11. Seat ring	Bronze CC491K (LG2)
4. Stem	Stainless steel 1.4057	12. Body	Ductile iron GJS-500-7 (GGG-50)
5. Thrust collar	Brass, DZR CW602N (CZ132)	13. Seal retainer	Bronze CC491K (LG2)
6. Bonnet	Ductile iron GJS-500-7 (GGG-50)	14. O-ring	NBR rubber
7. Bonnet gasket	EPDM rubber	15. Gland flange	Ductile iron GJS-500-7 (GGG-50)
8. Wedge	Ductile iron GJS-500-7 (GGG-50)	16. Wiper ring	NBR - Rubber

Components can be substituted with equivalent or higher class materials without prior notification.

## Reference nos. and dimensions:

AVK ref. no.	DN mm	Closing Direction	L mm	W mm	H mm	H3 mm	Theoretical weight/kg
2580-080-98-050012	80	CC	203	280	338	438	21
2580-080-98-150012	80	ACC	203	280	338	438	21
2580-100-98-050012	100	CC	229	320	371	481	29
2580-100-98-150012	100	ACC	229	320	371	481	29
2580-150-98-050012	150	CC	267	360	460	602	50
2580-150-98-150012	150	ACC	267	360	460	602	50
2580-200-98-050012	200	CC	292	500	555	725	84
2580-200-98-150012	200	ACC	292	500	555	725	84
2580-225-98-050012	225	CC	305	500	618	803	106
2580-225-98-150012	225	ACC	305	500	618	803	106
2580-250-98-050012	250	CC	330	500	631	833	114
2580-250-98-150012	250	ACC	330	500	631	833	114
2580-300-98-050012	300	CC	356	500	708	936	156
2580-300-98-150012	300	ACC	356	500	708	936	156