

## SUREFLOW RESILIENT SEAT GATE VALVE PN16, ISO FLANGE

2570/52

To AS 2638.2, reduced weight and environmentally friendly  
Stem sealing exchangeable under pressure  
Socket ends to AS/NZS 2280 / AS 1477 Type 2 or AS 1477 Type 1

### Use:

- For water, sewage and neutral liquid applications
  - Valve designed for use up to 70°C
  - Where applicable; for AS 4020 compliance, max temp = 40°C
- Note: Always observe pipe material recommended operating temperatures

### Tests:

- Hydraulic test to AS 2638.2:
  - Seat: 17.6 bar
  - Body: 24 bar
  - Operating torque test

### Optional Extras:

- Anchor legs for DN100 & DN150 only (ordered separately)
- Stem cap (refer to series 2570/50)
- Handwheel (refer to series 2570/58)



Quality  
ISO 9001

SAI GLOBAL



Health & Safety  
AS 4801

SAI GLOBAL



Environment  
ISO 14001

SAI GLOBAL



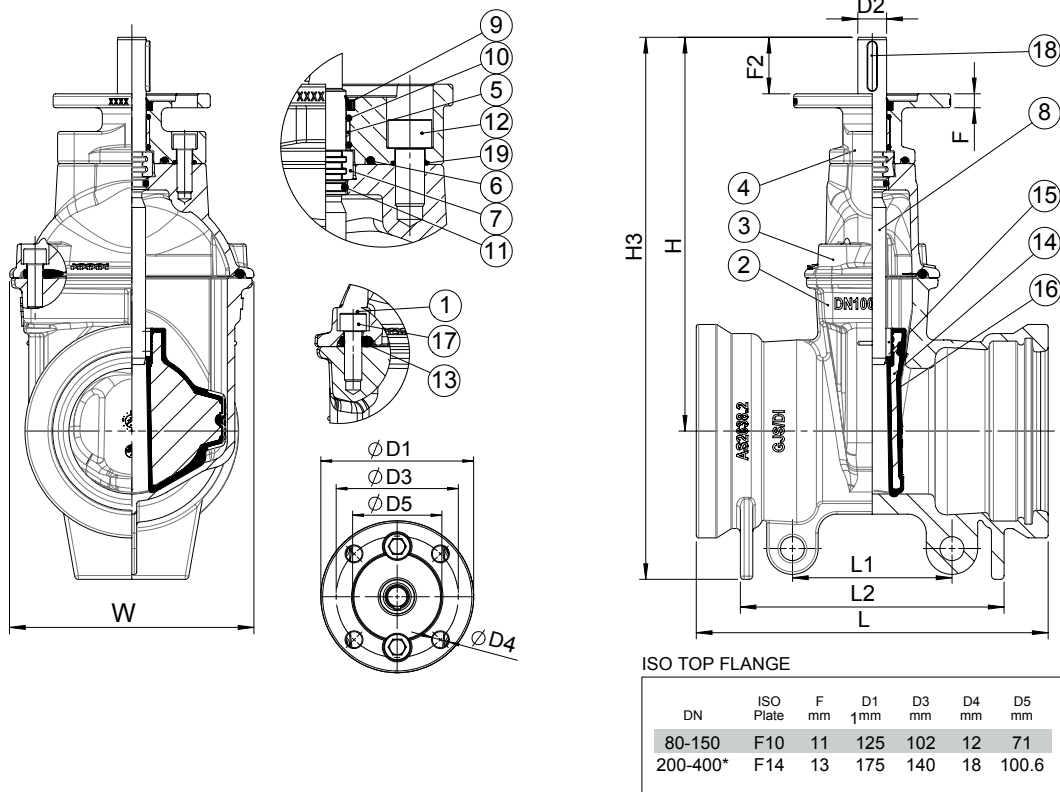
Australian  
Standard  
AS2638.2

Lic. SMK02420  
SAI Global



sureflow®

Version number 1



**Component list**

1. Hot melt seal		12. Bolt socket	Stainless Steel 316, fully encapsulated with hot melt glue
2. Body	Ductile Iron, 500-7 to AS 1831	13. Bonnet gasket	EPDM rubber
3. Bonnet	Ductile Iron, 500-7 to AS 1831	14. Wedge	Ductile Iron, 500-7 to AS 1831
4. Gland flange	Stainless Steel CF8M	15. Wedge nut	Dezincification resistant brass, CZ 132 to AS 2345
5. Bushing	Polyamide	16. Wedge rubber	EPDM
6. O-ring	NBR	17. Bolt socket	Stainless Steel 316, fully encapsulated with hot melt glue
7. Thrust collar	Dezincification resistant brass, CZ 132 to AS 2345	18. Key	Stainless Steel
8. Stem	Stainless Steel 431	19. O-ring	NBR
9. Wiper ring	NBR		
10. O-ring	NBR		
11. O-ring	NBR		

Components can be substituted with equivalent or higher class materials.

**Reference nos. and dimensions**

Sureflow ref. nos. CC	Sureflow ref. nos. ACC	DN mm	Pipe D.ex. AS 2280/AS 1477 Type 2 D (min-max) mm	Pipe D.ex. AS 1477 Type 1 D (min-max) mm	D2 mm	Key size mm	L mm	L1 mm	L2 mm	W mm	H mm	H3 mm	F2 mm	Weight kg
2570-080-52-0940121	2570-080-52-1940121	80	94-97		23	8x7x45	252	-	132	174	295	364	45	14.5
2570-100-52-0940121	2570-100-52-1940121	100	120-123		23	8x7x45	280	126	210	195	314	432	45	18
2570-150-52-0940121	2570-150-52-1940121	150	175-178		23	8x7x45	304	126	213	275	401	546	45	32.5
2570-200-52-0940121	2570-200-52-1940121	200	230-233		23	8x7x45	396	-	206	335	489	632	45	55
2570-225-52-0940121	2570-225-52-1940121	225	257-260		30	8x7x45	450	-	250	422	567	725	45	85
2570-250-52-0940121	2570-250-52-1940121	250	284-287		30	8x7x45	466	-	256	422	579	751	45	88.5
2570-300-52-0940121	2570-300-52-1940121	300	343-346		30	8x7x45	488	-	278	452	662	865	45	119
2570-375-52-0940121	2570-375-52-1940121	375	424-428		30	8x7x45	560	-	292	564	825	1073	45	224
2570-080-52-2940122	2570-080-52-3940122	80		88.7-89.1	23	8x7x45	252	-	132	174	295	364	45	14.5
2570-100-52-2940122	2570-100-52-3940122	100		114-114.5	23	8x7x45	280	126	210	195	314	432	45	18
2570-150-52-2940122	2570-150-52-3940122	150		160-160.5	23	8x7x45	304	126	213	275	401	546	45	32.5
2570-200-52-2940122	2570-200-52-3940122	200		225-225.6	23	8x7x45	396	-	206	335	489	632	45	55
2570-225-52-2940122	2570-225-52-3940122	225		250-250.7	30	8x7x45	450	-	250	422	567	725	45	85
2570-250-52-2940122	2570-250-52-3940122	250		280-280.8	30	8x7x45	466	-	256	422	579	751	45	88.5
2570-300-52-2940122	2570-300-52-3940122	300		315-315.9	30	8x7x45	488	-	278	452	662	865	45	119
2570-375-52-2940122	2570-375-52-3940122	375		400-401	30	8x7x45	560	-	292	564	825	1073	45	224

## SUREFLOW RESILIENT SEAT GATE VALVE PN16, ISO FLANGE

2570/72

To AS 2638.2, reduced weight and environmentally friendly  
Stem sealing exchangeable under pressure  
Socket to AS/NZS 2280 / AS 1477 Type 2 or AS 1477 Type 1  
Flange and drilling to AS 4087 Figure B5 (AS 2129 Table D and raised face)

### Use:

- For water, sewage and neutral liquid applications
  - Valve designed for use up to 70°C
  - Where applicable; for AS 4020 compliance, max temp = 40°C
- Note: Always observe pipe material recommended operating temperatures

### Tests:

- Hydraulic test to AS 2638.2:
  - Seat: 17.6 bar
  - Body: 24 bar
  - Operating torque test

### Optional Extras:

- Stem cap (refer to series 2570/70)
- Handwheel (refer to series 2570/78)



DN100



DN150



Quality  
ISO 9001  
SAI GLOBAL



Health & Safety  
AS 4801  
SAI GLOBAL



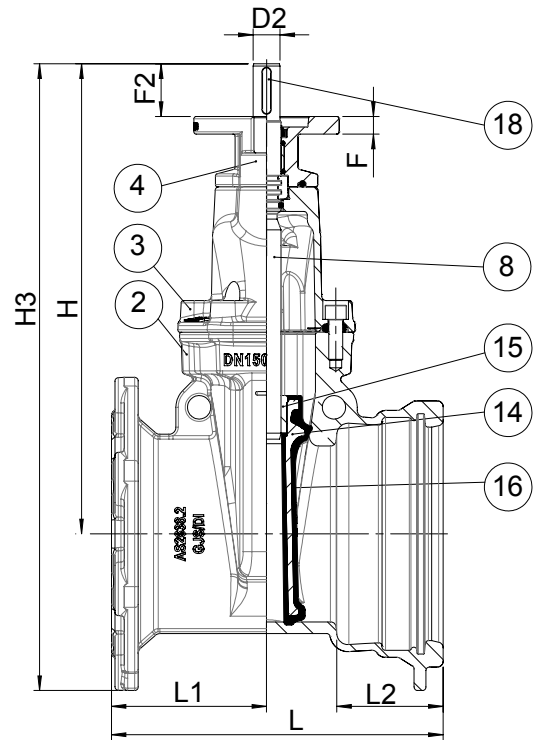
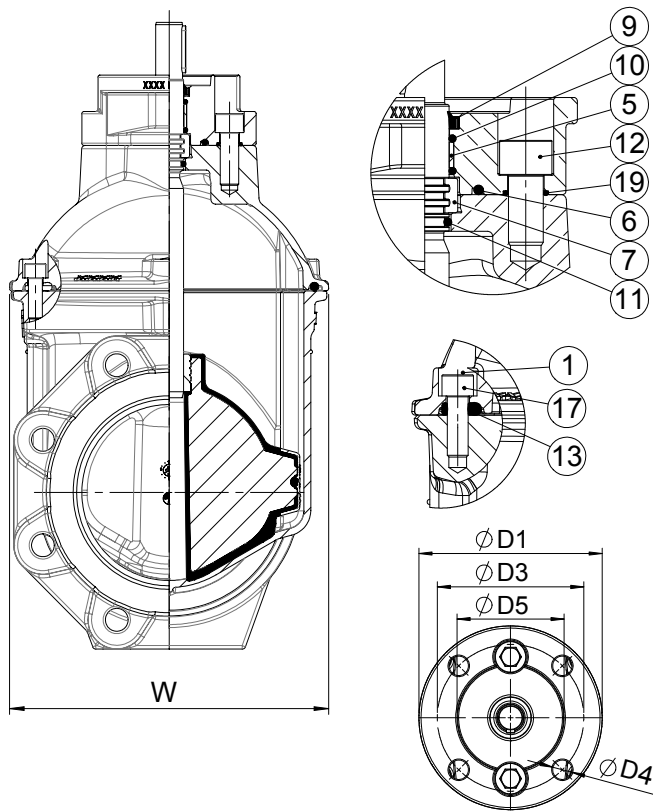
Environment  
ISO 14001  
SAI GLOBAL



Australian  
Standard  
AS2638.2  
Lic. SMK02420  
SAI Global



sureflow®



ISO TOP FLANGE

DN	ISO Plate	F mm	D1 mm	D3 mm	D4 mm	D5 mm
80-150	F10	11	125	102	12	71
200-400*	F14	13	175	140	18	100.6

\*F14 flange is dual drilled to include F10 dimensions D3 and D4

Component list

1. Hot melt seal		12. Bolt socket	Stainless Steel 316, fully encapsulated with hot melt glue
2. Body	Ductile Iron, 500-7 to AS 1831	13. Bonnet gasket	EPDM rubber
3. Bonnet	Ductile Iron, 500-7 to AS 1831	14. Wedge	Ductile Iron, 500-7 to AS 1831
4. Gland flange	Stainless Steel CF8M	15. Wedge nut	Dezincification resistant brass, CZ 132 to AS 2345
5. Bushing	Polyamide	16. Wedge rubber	EPDM
6. O-ring	NBR	17. Bolt socket	Stainless Steel 316, fully encapsulated with hot melt glue
7. Thrust collar	Dezincification resistant brass, CZ 132 to AS 2345	18. Key	Stainless Steel
8. Stem	Stainless Steel 431	19. O-ring	NBR
9. Wiper ring	NBR		
10. O-ring	NBR		
11. O-ring	NBR		

Components can be substituted with equivalent or higher class materials.

Reference nos. and dimensions

Sureflow ref. nos. CC	Sureflow ref. nos. ACC	DN mm	Pipe D.ex. AS 2280/AS 1477 Type 2 D (min-max) mm	Pipe D.ex. AS 1477 Type 1 D (min-max) mm	D2 mm	Key size mm	L mm	L1 mm	L2 mm	W mm	H mm	H3 mm	F2 mm	Flange OD mm	Bolt PCD mm	Hole Dia. mm	Weight kg
2570-080-72-0540121	2570-080-72-1540121	80	94-97	-	23	8x7x45	227.5	101.6	49	174	295	368	45	185	146	18	14
2570-100-72-0540121	2570-100-72-1540121	100	120-123	-	23	8x7x45	254.5	114.5	48	195	314	399	45	215	178	18	17
2570-150-72-0X40121	2570-150-72-1540121	150*	175-178	-	23	8x7x45	285.5	133.5	53	275	401	535	45	280	235	18	33
2570-080-72-0540122	2570-080-72-1540122	80	-	88.7-89.1	23	8x7x45	227.5	101.5	49	174	295	368	45	185	146	18	14
2570-100-72-0540122	2570-100-72-1540122	100	-	114-114.5	23	8x7x45	254.5	114.5	48	195	314	399	45	215	178	18	17
2570-150-72-0X40122	2570-150-72-1X40122	150*	-	160-160.5	23	8x7x45	285.5	133.5	53	275	401	535	45	280	235	18	33

\*X: 5 = AS 4087 Figure B5  
\*X: 6 = AS 2129 Table E

To AS 2638.2, reduced weight and environmentally friendly  
Stem sealing exchangeable under pressure  
Face to face dimension to AS 2638.2  
Flange and drilling to AS 4087 Figure B5 (AS 2129 Table D and raised face) or AS 2129 Table E and raised face

**Use:**

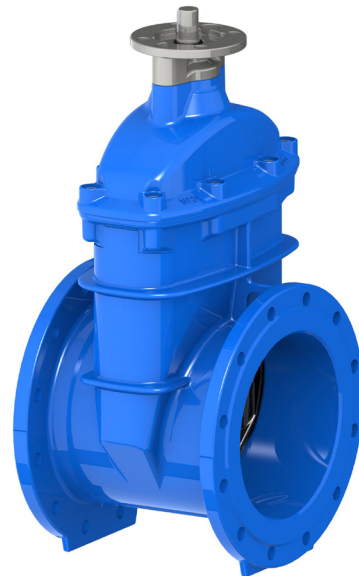
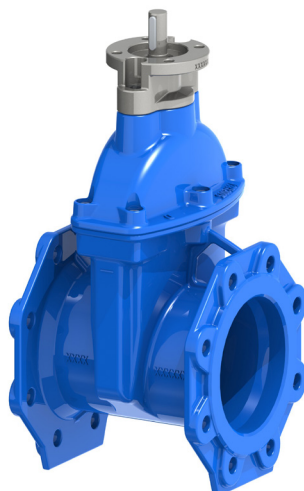
- For water, sewage and neutral liquid applications
  - Valve designed for use up to 70°C
  - Where applicable; for AS 4020 compliance, max temp = 40°C
- Note: Always observe pipe material recommended operating temperatures

**Tests:**

- Hydraulic test to AS 2638.2:
  - Seat: 17.6 bar
  - Body: 24 bar
  - Operating torque test

**Optional Extras:**

- Handwheel (refer to series 2570/98)
- Stem cap (refer to series 2570/90)

**DN80, 100****DN225, 250, 300, 375, 400****DN150, 200**

Quality  
ISO 9001



Health & Safety  
AS 4801

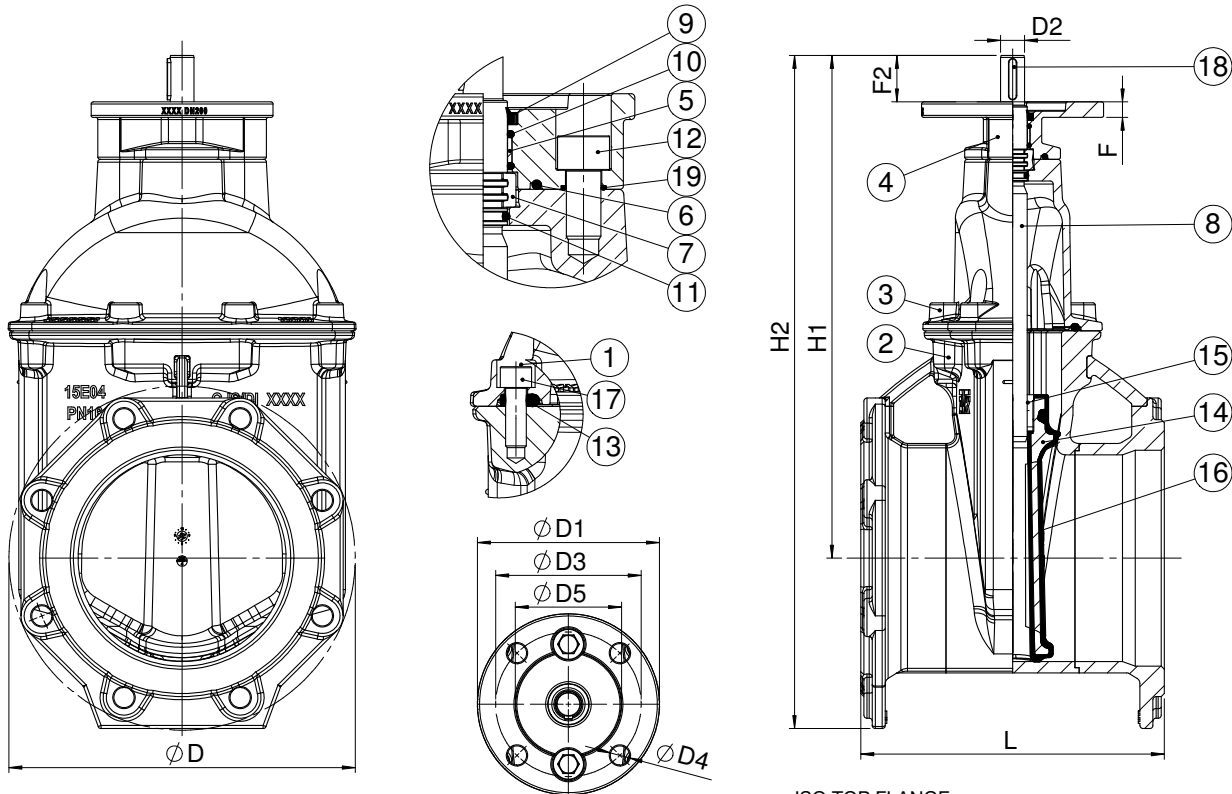


Environment  
ISO 14001



Australian  
Standard  
AS2638.2:2011  
Lic. SMK02420  
SAI Global





ISO TOP FLANGE

DN	ISO Plate	F mm	D1 mm	D3 mm	D4 mm	D5 mm
80-150	F10	11	125	102	12	71
200-400*	F14	13	175	140	18	100.6

\* F14 flange is dual drilled to include F10 dimensions D3 and D4

**Component list**

1. Hot melt seal		12. Bolt socket	Stainless Steel 316, fully encapsulated with hot melt glue
2. Body	Ductile Iron, 500-7 to AS 1831	13. Bonnet gasket	EPDM rubber
3. Bonnet	Ductile Iron, 500-7 to AS 1831	14. Wedge	Ductile Iron, 500-7 to AS 1831
4. Gland flange	Stainless Steel CF8M	15. Wedge nut	Dezincification resistant brass, CZ 132 to AS 2345
5. Bushing	Polyamid	16. Wedge rubber	EPDM
6. O-ring	NBR	17. Bolt socket	Stainless Steel 316, fully encapsulated with hot melt glue
7. Thrust collar	Dezincification resistant brass, CZ 132 to AS 2345	18. Key	Stainless Steel
8. Stem	Stainless Steel 431	19. O-ring	NBR
9. Wiper ring	NBR		
10. O-ring	NBR		
11. O-ring	NBR		

Components can be substituted with equivalent or higher class materials.

**Reference nos. and dimensions - Flange drilling to AS 4087 Figure B5 (AS 2129 Table D)**

Sureflow ref. nos. CC	Sureflow ref. nos. ACC	DN mm	L mm	H1 mm	H2 mm	D mm	Hole OD mm	Holes nos.	Bolt PCD	D2 mm	F2 mm	Weight kg
2570-080-920540120	2570-080-921540120	80	203	295	368	190	18	4	146	23	45	13
2570-100-920540120	2570-100-921540120	100	229	314	397	218	18	4	178	23	45	16
2570-150-920540120	2570-150-921540120	150	267	401	543	285	18	8	235	23	45	33
2570-200-920540120	2570-200-921540120	200	292	487	651	332	18	8	292	23	45	53
2570-225-920540120	2570-225-921540120	225	305	567	752	370	18	8	324	30	45	88
2570-250-920540120	2570-250-921540120	250	330	579	782	405	22	8	356	30	45	93
2570-300-920540120	2570-300-921540120	300	356	662	890	455	22	12	406	30	45	126
2570-375-920540120	2570-375-921540120	375	381	825	1100	550	26	12	495	30	45	227
2570-400-920540120	2570-400-921540120	400	406	837	1127	580	26	12	521	30	45	237

## Reference nos. and dimensions - Flange drilling to AS 2129 Table E

Sureflow ref. nos. CC	Sureflow ref. nos. ACC	DN mm	L mm	H1 mm	H2 mm	D mm	Hole OD mm	Holes nos.	Bolt PCD	D2 mm	F2 mm	Weight kg
2570-080-920540120	2570-080-921540120	80	203	295	368	190	18	4	146	23	45	13
2570-100-920640120	2570-100-921640120	100	229	314	397	218	18	8	178	23	45	18
2570-150-920640120	2570-150-921640120	150	267	401	543	285	22	8	235	23	45	33
2570-200-920640120	2570-200-921640120	200	292	487	651	332	22	8	292	23	45	53
2570-225-920640120	2570-225-921640120	225	305	567	752	370	22	12	324	30	45	88
2570-250-920640120	2570-250-921640120	250	330	579	782	405	22	12	356	30	45	93
2570-300-920640120	2570-300-921640120	300	356	662	890	455	26	12	406	30	45	126
2570-375-920540120	2570-375-921540120	375	381	825	1100	550	26	12	495	30	45	227
2570-400-920540120	2570-400-921540120	400	406	837	1127	580	26	12	521	30	45	237



## SUREFLOW RESILIENT SEAT GATE VALVE PN16, ISO FLANGE

2570/62

To AS 2638.2, reduced weight and environmentally friendly  
Stem sealing exchangeable under pressure  
Spigot ends to AS/NZS 2280 Figure J23

### Use:

- For water, sewage and neutral liquid applications
  - Valve designed for use up to 70°C
  - Where applicable; for AS 4020 compliance, max temp = 40°C
- Note: Always observe pipe material recommended operating temperatures

### Tests:

- Hydraulic test to AS 2638.2:
  - Seat: 17.6 bar
  - Body: 24 bar
  - Operating torque test

### Optional Extras:

- Stem cap (refer to series 2570/60)
- Handwheel (refer to series 2570/68)



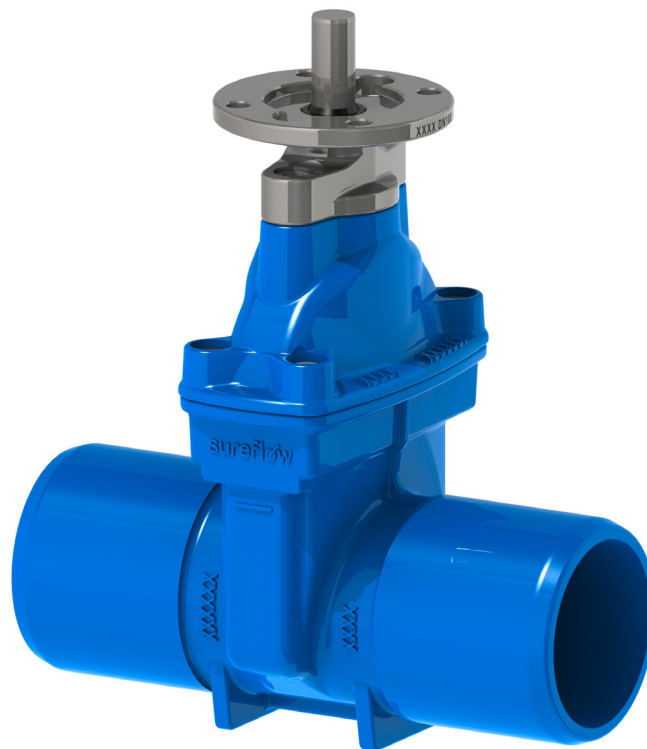
Quality  
ISO 9001



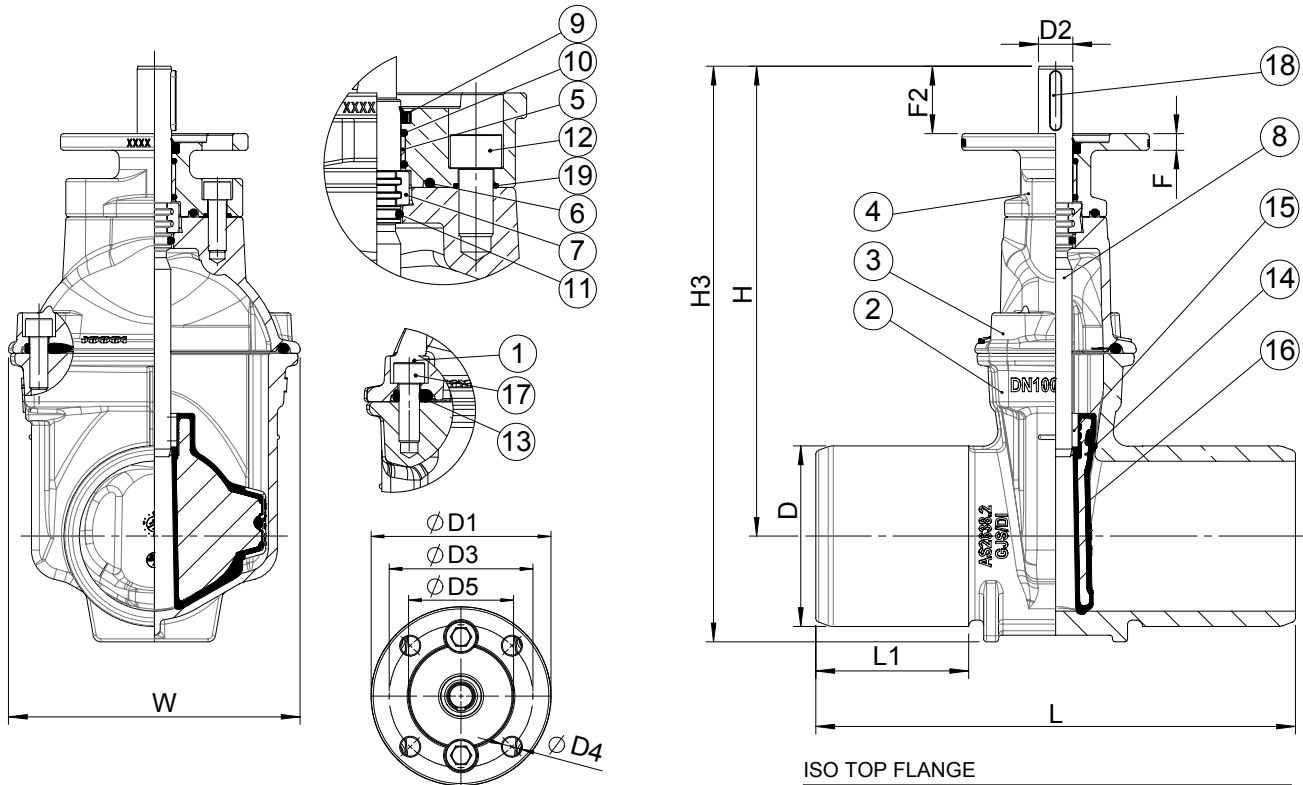
Health & Safety  
AS 4801



Environment  
ISO 14001







ISO TOP FLANGE

DN	ISO Plate	F mm	D1 mm	D3 mm	D4 mm	D5 mm
80-150	F10	11	125	102	12	71
200-400*	F14	13	175	140	18	100.6

\*F14 flange is dual drilled to include F10 dimensions D3 and D4

**Component list**

1. Hot melt seal		12. Bolt socket	Stainless Steel 316, fully encapsulated with hot melt glue
2. Body	Ductile Iron, 500-7 to AS 1831	13. Bonnet gasket	EPDM rubber
3. Bonnet	Ductile Iron, 500-7 to AS 1831	14. Wedge	Ductile Iron, 500-7 to AS 1831
4. Gland flange	Stainless Steel CF8M	15. Wedge nut	Dezincification resistant brass, CZ 132 to AS 2345
5. Bushing	Polyamide	16. Wedge rubber	EPDM
6. O-ring	NBR	17. Bolt socket	Stainless Steel 316, fully encapsulated with hot melt glue
7. Thrust collar	Dezincification resistant brass, CZ 132 to AS 2345	18. Key	Stainless Steel
8. Stem	Stainless Steel 431	19. O-ring	NBR
9. Wiper ring	NBR		
10. O-ring	NBR		
11. O-ring	NBR		

Components can be substituted with equivalent or higher class materials.

**Reference nos. and dimensions**

Sureflow ref. nos. CC	Sureflow ref. nos. ACC	DN mm	D mm	D2 mm	Key size mm	L mm	L1 mm	W mm	H mm	H3 mm	F2 mm	Weight kg
2570-080-62-0940120	2570-080-62-1940120	80	94.5	23	8x7x45	280	89	174.1	294.5	384.5	45	13
2570-100-62-0940120	2570-100-62-1940120	100	120.5	23	8x7x45	320	102	195	314	384	45	16
2570-150-62-0940120	2570-150-62-1940120	150	175.5	23	8x7x45	360	102	275	401	498	45	32
2570-200-62-0940120	2570-200-62-1940120	200	230.5	23	8x7x45	420	115	335	489	611.5	45	66
2570-225-62-0940120	2570-225-62-1940120	225	257.5	30	8x7x45	448	115	422	566.5	714	45	92
2570-250-62-0940120	2570-250-62-1940120	250	284.5	30	8x7x45	448	115	422	579	731	45	89
2570-300-62-0940120	2570-300-62-1940120	300	343.5	30	8x7x45	459.8	115	451.8	662.3	852.8	45	124