



STAINLESS STEEL REPAIR CLAMPS

DN 40 - DN 1200

FAST, PERMANENT REPAIR AND REINFORCEMENT SOLUTION FOR MOST PIPE TYPES AND SIZES



FEATURES

Manufactured from grade 316 stainless steel for superior corrosion protection

Nitrile rubber gaskets provide a potable water contact approved seal and insulates against galvanic corrosion

Fully passivated stainless steel underscores the quality and longevity of the product

Clamp design permits the installation of a single clamp on a range of pipe diameters

All sharp surfaces finished to avoid injury to the installer

Product supplied with detailed installation instructions

Dry film anti-galling coating employed to minimise galling of the stainless steel fasteners

Manufacturing facility certified to the ISO 9001 quality assured standard

DESCRIPTION

The use of high quality Stainless Steel and Nitrile Rubber gaskets permits use of the product in a range of applications from reticulated water and sewerage to industrial use

A Repair Clamp's variable OD Range enables a single clamp to adapt to any pipe OD within that variable range. This dramatically reduces the stocking requirement to cater for each individual pipe type and size

APPLICATION

Repair Clamps provide a permanent repair solution for most leaking, cracked or damaged pipe

They are also an effective means of reinforcing old pipe in critical areas or providing an effective seal for decommissioned service connections

TECHNICAL DATA

Size Range: DN 40 - DN 1200

Maximum Operating Pressure:
Up to 690mm OD: 1600 kPa

Temperature Range:
-10°C to 60°C

Product Certification:
AS 4181 Lic. No SMK1785

Note: Wang Repair Clamps should not be used to join pipe and DO NOT provide axial pipe restraint.

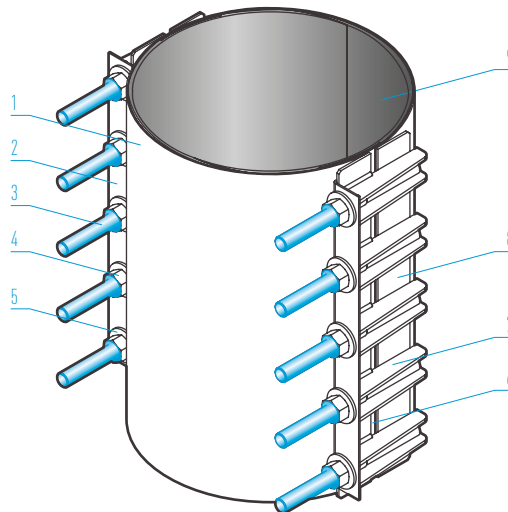
The use of a Vari-Gib Pipe Coupling is recommended for pipe joining applications

STAINLESS STEEL REPAIR CLAMPS

DN 40 - DN 1200

FAST, PERMANENT REPAIR AND REINFORCEMENT SOLUTION FOR MOST PIPE TYPES AND SIZES

SINGLE PART REPAIR CLAMP



PARTS LIST

| No. | Description | Material / Standard |
|-----|----------------|--|
| 1 | Skin | 316 Stainless Steel / ASTM A240M |
| 2 | Locking Plate | 316 Stainless Steel / ASTM A240M |
| 3 | Studs | 316 Stainless Steel – anti-galling compound coated / ASTM A276 |
| 4 | Nuts | 316 Stainless Steel – anti-galling compound coated / AS 1112.1 |
| 5 | Washers | 316 Stainless Steel / ISO 7089 |
| 6 | Bridge Plate | 316 Stainless Steel bonded to gasket ASTM A240M |
| 7 | Lugs | 316 Stainless Steel / ASTM A240M |
| 8 | Flat Bars | 316 Stainless Steel / ASTM A276 or A240M |
| 9 | Sealing Gasket | Full-circle Nitrile / (NBR) Compound AS 1646 and AS/NZS 4020 |

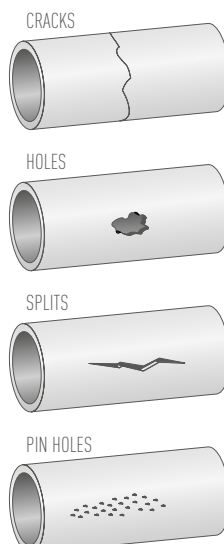
DOUBLE PART REPAIR CLAMP



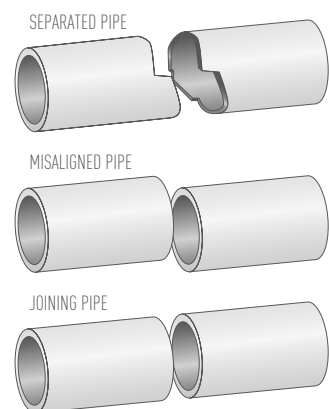
MULTI PART REPAIR CLAMP



REPAIR CLAMPS APPLICATIONS RECOMMENDED



REPAIR CLAMPS APPLICATIONS **NOT** RECOMMENDED

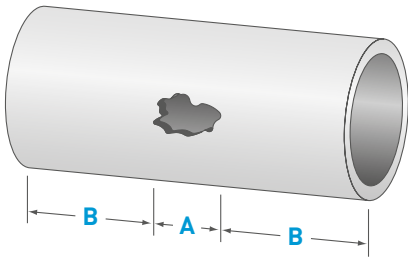


CALCULATING THE MINIMUM RECOMMENDED CLAMP LENGTH

When repairing a damaged pipe, it is important to select a clamp of the right length relative to the length of the damage being repaired. For effective sealing, there should be sufficient gasket in contact with the pipe between the edge of the damage and the end of the clamp on each side.

The diagram and table below provide a method of ensuring that the selected clamp is no less than the minimum recommended length for an effective seal.

Minimum recommended clamp length = A + 2B



EXAMPLE: CALCULATING MINIMUM CLAMP LENGTH

You require a clamp to repair a DN 300 Sr.2 PVC pipe with a 100mm wide hole

- Determine the minimum required clamp length with formula (A+2B).
A = Damage dimension = 100mm
B = Seal length (extract from table below) = 100mm
Therefore MINIMUM clamp length = (100 + [2x100]) = 300mm.
- Standard clamp length from table below for a DN 300 pipe = 300mm.
Therefore a standard clamp from the selection chart (page 3 & 4) can be used.
- However if the damage had been more than 100mm in length, a standard clamp (300mm long in this example) would be too short.
- Contact Pentair Water Solutions in such an instance for assistance for the next available option in clamp length.

MINIMUM REQUIRED SEAL LENGTH 'B'

| NOM. PIPE DIA. DN | MIN. SEAL LENGTH 'B' mm | STANDARD CLAMP LENGTHS mm |
|-------------------|-------------------------|---------------------------|
| 40 - 80 | 50 | 150 |
| 100 - 200 | 65 | 200 |
| 225 - 300 | 100 | 300 |
| 350 - 600 | 150 | 400 |

REPAIR CLAMPS TYPICAL SPECIFYING SEQUENCE

| | | | | | |
|-----|--|---|-----|---|---|
| K | 15 | - | 600 | C | D |
| K | = Clamp code | | | | |
| 15 | = Number of fasteners | | | | |
| - | = Delimiter | | | | |
| 600 | = Start of OD range | | | | |
| C | = Number of clamp segments (see table below) | | | | |
| D | = Clamp length, mm (see table below) | | | | |

WANG REPAIR CLAMPS STANDARD CLAMP CONFIGURATIONS

| PRODUCT CODE ENDING | NO. OF CLAMP SEGMENTS | | | CLAMP LENGTH mm | | | | CLAMP OD RANGE mm |
|---------------------|-----------------------|---|---|-----------------|-----|-----|-----|-------------------|
| | A | B | C | A | B | C | D | |
| AA | 1 | | | 150 | | | | 5 |
| AB | 1 | | | | 200 | | | 10 |
| AC | 1 | | | | | 300 | | 10 |
| AD | 1 | | | | | | 400 | 10 |
| BD | | 2 | | | | | 400 | 20 |
| CD | | | 3 | | | | 400 | 30 |

EXAMPLE: TO DETERMINE THE CONFIGURATION OF A REPAIR CLAMP FROM ITS PRODUCT CODE, EG: K10-490BD

K10 = 10 bolt clamp

490 = Start of the clamp's OD range

BD = 20mm OD range (table above)
Therefore Clamp OD range is 490 to 510mm

B = No. of clamp segments = 2 (table above)

D = Clamp length = 400 mm (table above)

Conclusion

10 bolt x 2 part Repair Clamp,
400 mm long with an OD range of 490 to 510mm

REPAIR CLAMPS SELECTION CHART

| NOM. PIPE SIZE DN | DICL | STEEL | | CICL | | AC | |
|-------------------------|--------------------|--------------------|-------------------|--------------------|--------------------|--------------------|--|
| | AS/NZS 2280 | MSCL AS 1579 | GWJ AS 1074 | B AS 1724 | C AS 2544 | AB AS 1711 | |
| 40 | | | K2-047AA 48mm | | | | |
| 50 | | | K2-059AA 60mm | | | K2-069AA 69mm | |
| 65 | | | K2-076AA 76mm | | | K2-076AA 79mm | |
| 80 | K2-095AB 96mm | | K2-085AB 89mm | K2-095AB 96mm | K2-095AB 96mm | K2-095AB 96mm | |
| 100 | K2-120AB 122mm | K2-114AB 114mm | K2-114AB 114mm | K2-120AB 122mm | K2-120AB 122mm | K2-120AB 122mm | |
| 125 | | K2-140AB 140mm | K2-140AB 140mm | | K2-140AB 149mm | | |
| 150 | K2-175AB 177mm | K2-160AB 168mm | K2-160AB 168mm | K2-175AB 177mm | K2-175AB 177mm | K2-175AB 177mm | |
| 175 | | | | | K2-200AB 203mm | | |
| 200 | K2-230AB 232mm | K2-215AB 218mm | | K2-230AB 232mm | K2-230AB 232mm | K2-230AB 232mm | |
| 225 | K4-250AC 259mm | | | K4-250AC 259mm | K4-250AC 259mm | K4-250AC 259mm | |
| 250 | K4-285AC 286mm | K4-270AC 273mm | | K4-285AC 286mm | K4-285AC 286mm | K4-285AC 286mm | |
| 300 | K4-340AC 345mm | K4-320AC 324mm | | K4-330AC 334mm | K4-340AC 345mm | K4-330AC 334mm | |
| 350 | | K10-350BD 355mm | | | | | |
| 375 | K10-410BD 426mm | K10-400BD 406mm | | K10-410BD 413mm | K10-410BD 426mm | K10-410BD 413mm | |
| 400 | | K10-450BD 457mm | | | | | |
| 450 | K10-490BD 507mm | K10-490BD 508mm | | K10-490BD 492mm | K10-490BD 507mm | K10-490BD 492mm | |
| 500 | K15-560CD 560mm | K15-530CD 559mm | | K15-530CD 545mm | K15-560CD 560mm | | |
| 525 | | | | | | K15-570CD 572mm | |
| 600 | K15-650CD 667mm | K15-600CD 610mm | | K15-650CD 650mm | K15-650CD 667mm | K15-650CD 650mm | |

Note: The WANG Repair Clamp range extends beyond DN600. For sizes and configurations not listed above, please contact Viadux for assistance

*1 Min. required pipe rating for clamp application: PN9 *2 Min. required pipe rating for clamp application: SN10,000 *3 Min. required pipe rating for clamp application: U=PN9 / M=PN12

| | ABS*1 | GRP*2 | RC | COPPER | PVC-U/M*3 | |
|--------------------|---------------------|----------------------------|--------------------|-------------------|--|--|
| CD AS 1711 | SERIES 1 AS 3518 | SERIES 1 -B5 AS 3571 | AS 4058 | AS 1432 | SERIES 1 (U) AS/NZS 1477 (M) AS/NZS 4765 | SERIES 2 (U) AS/NZS 1477 (M) AS/NZS 4765 |
| | K2-047AA 48mm | | | N/A 38mm | K2-047AA 48mm | |
| | K2-059AA 60mm | | | K2-047AA 51mm | K2-059AA 60mm | |
| | K2-075AA 75mm | | | K2-063AA 64mm | K2-075AA 75mm | |
| K2-095AB 96mm | K2-085AB 89mm | | | K2-076AA 76mm | K2-085AB 89mm | |
| K2-120AB 122mm | K2-114AB 114mm | K2-120AB 122mm | | K2-095AB 101mm | K2-114AB 114mm | K2-120AB 122mm |
| | K2-140AB 140mm | | | K2-120AB 127mm | K2-140AB 140mm | |
| K2-175AB 177mm | K2-160AB 168mm | K2-175AB 177mm | K2-190AB 197mm | K2-150AB 152mm | K2-160AB 160mm | K2-175AB 177mm |
| | | | | | K2-200AB 200mm | |
| K2-230AB 232mm | K2-215AB 225mm | K2-230AB 232mm | | K2-200AB 203mm | K2-215AB 225mm | K2-230AB 232mm |
| K4-250AC 259mm | K4-250AC 250mm | K4-250AC 259mm | K4-275AC 279mm | K2-225AB 229mm | K4-250AC 250mm | K4-250AC 259mm |
| K4-285AC 286mm | | K4-285AC 286mm | | | K4-275AC 280mm | K4-285AC 286mm |
| K4-340AC 345mm | K4-310AC 315mm | K4-340AC 345mm | K10-350BD 362mm | | K4-310AC 315mm | K4-340AC 345mm |
| | K10-350BD 355mm | K10-390BD 399mm | | | K10-350BD 355mm | |
| K10-410BD 426mm | K10-400BD 400mm | K10-410BD 426mm | K10-440BD 445mm | | K10-400BD 400mm | K10-410BD 426mm |
| | K10-450BD 450mm | K10-450BD 453mm | | | K10-450BD 450mm | |
| K10-490BD 507mm | K10-490BD 500mm | K10-490BD 507mm | K15-530CD 533mm | | K10-490BD 500mm | K10-490BD 507mm |
| | K15-560CD 560mm | K15-560CD 560mm | | | K15-560CD 560mm | K15-560CD 560mm |
| K15-570CD 587mm | | K15-570CD 587mm | K15-610CD 616mm | | | |
| K15-650CD 667mm | K15-620CD 630mm | K15-650CD 667mm | K15-690CD 699mm | | K15-620CD 630mm | K15-650CD 667mm |

Product Code
Pipe OD

WANG CLAMPS & COUPLINGS

WANG is one of the leading manufacturers and suppliers of Grade 316 Stainless Steel Repair and Tapped Clamps as well as Couplings for reticulated water, sewerage and gas mains including industrial piping systems.

WANG products have become synonymous with quality and reliability. Our product range is widely utilised and relied upon by Water Authorities and Councils throughout Australia in the installation and maintenance of their supply mains and reticulation network.

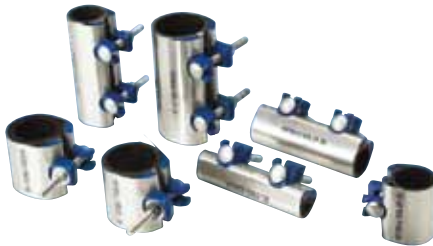


WANG products can be sourced through the Viadux national sales and service network of customer centres.

Viadux is a specialist in integrated solutions for all your water and wastewater pipeline system requirements.

KWIK CLAMPS

A full circle repair clamp for small bore galvanised steel, copper and PVC pipe. DN 15 - DN 50



REPAIR CLAMPS

A fast, permanent and economical repair solution for most pipe types and sizes. DN 50 - DN 1200



TAPPED CLAMPS

A reliable means of tapping into old, unstable or damaged pipe. DN 50 - DN 1200



TAPPING SADDLES

Permanent tapping solution for both rigid and flexible pipe. DN 40 - DN 450



FLANGED OFFTAKE CLAMPS

A cost effective means of achieving a "T" connection or under pressure tapping. DN 100 - DN 900



SEWER OB JUNCTION CLAMPS

A quick method of installing a new property service connection on a sewer main. DN 100 - DN 450



VARI-FLANGED COUPLINGS

Enable connection between a stub ended pipe and a mating flanged face. DN 80 - DN 600



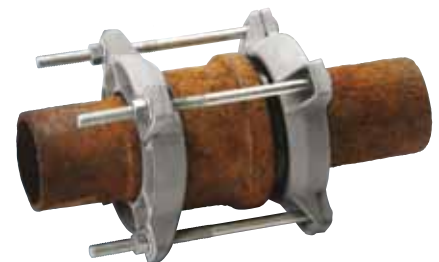
HIGH PRESSURE COUPLINGS

Provides a mechanical joint between similar or dissimilar pipes in high pressure environments. DN 150 - DN 2000



SOCKET JOINT LEAK CLAMPS

Provide a permanent and economical seal over a leaking socket-spigot joint. DN 80 - DN 1200



DISTRIBUTED BY VIADUX

ADELAIDE
P: 08 8340 3411
F: 08 8340 3422
E: ccasales@viadux.com.au

BRISBANE
P: 07 5589 4400
F: 07 5534 7079
E: ccbsales@viadux.com.au

DARWIN
P: 08 8935 3300
F: 08 8947 3981
E: ccdsales@viadux.com.au

GOLD COAST
P: 07 5589 4400
F: 07 5534 7079
E: ccgsales@viadux.com.au

MELBOURNE
P: 03 9309 9133
F: 03 9309 6237
E: ccmsales@viadux.com.au

PERTH
P: 08 9346 8500
F: 08 9346 8501
E: ccpsales@viadux.com.au

SYDNEY
P: 02 9794 3440
F: 02 9794 3499
E: ccssales@viadux.com.au

TOWNSVILLE
P: 07 4725 5940
F: 07 4725 4995
E: cctsales@viadux.com.au

WANG COMPONENTS

CNR GIBSON STREET & SANDFORD ROAD, WANGARATTA, VICTORIA 3677
PHONE 03 5722 7400 / FAX 03 5722 7444

All WANG trademarks and logos are owned by Wang Components. All other brand or product names are trademarks or registered marks of their respective owners. Because we are continuously improving our products and services, Wang Components reserves the right to change specifications without prior notice.
AP0315 © 2015 Wang Components. All Rights Reserved.

