

GATE VALVE
SHOULDERED ENDS 35BAR

SHOULDER ENDS TO AS2638.1



DESCRIPTION/APPLICATION

Metal seated wedge gate valves are primarily designed for the flow isolation of a length of pipeline or piece of equipment. It uses a ductile iron gate that houses bronze rings to ensure a watertight seal.

Metal seat gate valve for water to max 70°C

FEATURES

Bronze wedge nut with lubricating abilities providing optimum compatibility with stem

The face ring which firmly secured to the wedge is machined to a fine surface finish to ensure optimum contact seal with body seat ring

Wedge with guides, which will ensure uniform closure

A large through bore housing for the stem in the wedge to prevents stagnant water or impurities

CERTIFICATION

Standards:

Designed according to AS2638.1
Shoulder ends according to AS2638.1

Test/Approvals:

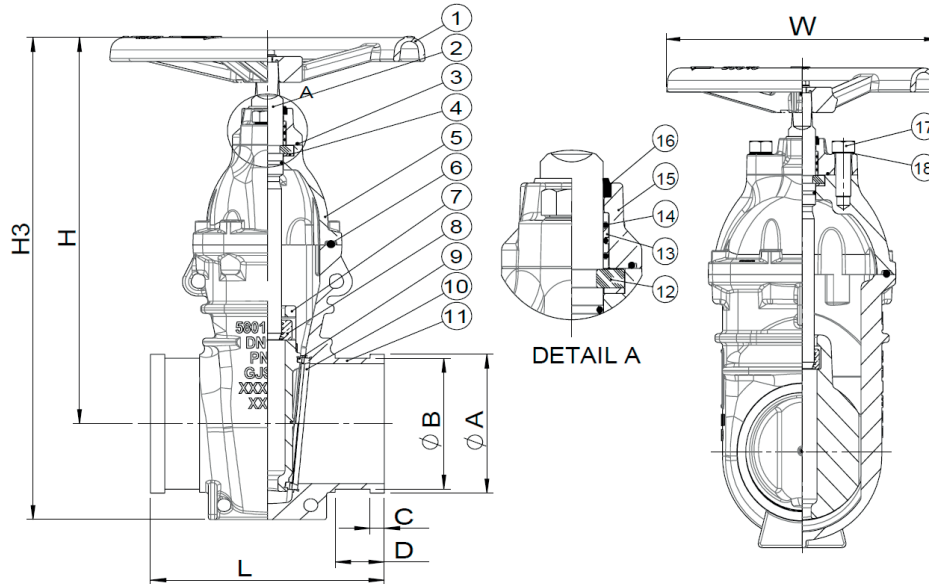
Seat: 1.1 x PN
Body: 1.5 x PN

Coating:

Blue fusion bonded epoxy according to AS4158

GATE VALVE SHOULDERED ENDS 35BAR

SHOULDER ENDS TO AS2638.1



COMPONENT LIST

No	Description Material / Standard	No	Description Material / Standard	No	Description Material / Standard
1	Handwheel Ductile iron GJS-500-7 (GGG-50)	7	Wedge Ductile iron GJS-500-7 (GGG-50)	13	Seal retainer Bronze CC491K (LG2)
2	Stem Stainless steel 1.4057	8	Wedge nut Bronze CC331G (AB1)	14	O-ring NBR rubber
3	O-ring NBR rubber	9	Face ring Bronze CC491K (LG2)	15	Gland flange Ductile iron GJS-500-7 (GGG-50)
4	Thrust washer PA 6.6	10	Seat ring Bronze CC491K (LG2)	16	Wiper ring NBR - Rubber
5	Bonnet Ductile iron GJS-500-7 (GGG-50)	11	Body Ductile iron GJS-500-7 (GGG-50)	17	Bolt Stainless steel A4-70
6	Bonnet gasket EPDM rubber	12	Thrust collar Stainless steel 1.4404	18	Washer Stainless steel A4-70

Components can be substituted with equivalent or higher class materials without prior notification.

Material design and testing to AS 2638.2, reduced weight and environmentally friendly
For fusion welded installation in PE water pipes to AS/NZ 4130

VIADUX CC CODE	DN mm	Closing Direction	A mm	B mm	C mm	D mm	L mm	W nos.	H mm	H3 mm	Theoretical weight/kg
3703418	100	CC	122.2	114.3	17.5	42	229	320	379	474	27
3703419	150	CC	175.1	166.1	17.5	56	267	360	483	603	47