

GATE VALVE - RESILIENT SEATED PN16

MATERIAL DESIGN AND TESTING TO AS 2638.2



DN 450-600

DESCRIPTION/APPLICATION

• For water, sewage and neutral liquid applications

Optional Extras:

- Gearbox with stem cap
- Gearbox with handwheel
- Electric Actuator
- User specified flange drilling

TECHNICAL DATA

Size Range DN 450 - DN 600

• Valve designed for use up to 70°C

• Where applicable; for AS 4020 compliance, max temp = 40°C

Note: Always observe pipe material recommended operating temperatures

CERTIFICATION

Material design and tested to AS 2638.2

Stem sealing exchangeable under pressure

Flange drilling to AS 4087 Fig. B5 (AS 2129 Table D and raised face)

Gland flange to ISO 5210 - F16



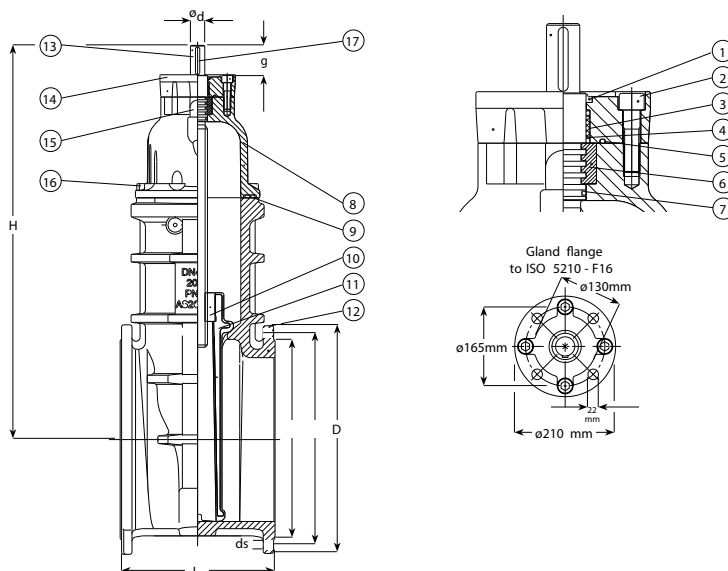
Certifications

AS2638.2

Lic. SMK02420

GATE VALVE - RESILIENT SEATED PN16

MATERIAL DESIGN AND TESTING TO AS 2638.2



COMPONENT LIST

No	Description Material / Standard	No	Description Material / Standard	No	Description Material / Standard
1	Wiper Ring NBR	7	Stem/Bonnet O-ring EPDM Rubber	13	Stem Stainless Steel 431
2	Gland Flange Bolt Stainless Steel 316 full encapsulated with hot melt glue	8	Bonnet Ductile Iron, grade 500-7 to AS 1831	14	Gland Flange Stainless Steel CF8M
3	Bearing Polyamid	9	Bonnet Gasket EPDM Rubber	15	Lifting Eye Zinc Plated Steel
4	Stem Seal O-ring NBR	10	Wedge Nut Dezincification resistant brass, CZ 132 to AS 2345	16	Bonnet Bolt Stainless Steel 316, fully encapsulated with hot melt glue
5	Gland Flange O-ring NBR Rubber	11	Wedge Ductile Iron Gr. 500-7 core fully vulcanised with EPDM rubber	17	Key Stainless Steel 316 (length 65)
6	Thrust collar Dezincification resistant brass CZ 132 AS 2345	12	Body Ductile Iron, grade 500-7 to AS 1831		

TESTS

Hydrostatic test to AS 2638.2

Seat: 17.6 bar
Body: 24 bar
Operating torque test

Components can be substituted with equivalent or higher class materials.

Material design and testing to AS 2638.2, reduced weight and environmentally friendly

VIADUX CC CODE	VIADUX ACC CODE	DN mm	L mm	H mm	D mm	Dh mm	Dt mm	ds mm	Holes nos.	ød mm	g mm	Weight kg	Keyway mm
VRDCC45500CK	VRDCC45500AK	450	432	1130	640	584	552	26	12	40	80	633	12x8
VRDCC50500CK	VRDCC50500AK	500	457	1206	705	641	609	26	16	40	80	663	12x8
VRDCC60500CK	VRDCC60500AK	600	508	1329	825	756	717	30	16	40	80	828	12x8