

# WANG FLANGED OFFTAKE CLAMPS

## DN 100 – DN 900

STAINLESS STEEL FLANGED OFFTAKE CLAMPS FOR 'T' CONNECTIONS ONTO NEW OR EXISTING PIPING SYSTEMS



### FEATURES

Flanged offtake clamps provide a flanged 90 degree offtake for connection to valves and other flanged fittings

Enables a pipe to be tapped while under mains pressure, avoiding the need for water supply shut-off

Avoids the need to cut out sections of pipe, making time-consuming reconnections and supply shut-off's obsolete

Available for most pipe types and sizes

Passivated 316 stainless steel construction maximises performance life

Full-circle nitrile rubber gasket seal

Dispatched with installation instructions

Plastic thread protectors supplied

All rough surfaces finished to avoid harm to the installer

Dry film anti-galling coating employed to minimise galling of the stainless steel fasteners

Manufacturing facility certified to ISO 9001 quality assured standard

### DESCRIPTION

The combination of quality materials and superior design allows this clamp to be utilised in a variety of applications and industries where a flange to flange connection is required off an existing pipe

### APPLICATION

A flanged offtake clamp is designed to provide a flanged connection off a new or existing pipeline. This clamp is ideal for tapping pipelines under pressure, or for hydrant and air valve installations on existing pipelines

### TECHNICAL DATA

**Size Range:** DN 100 - DN 900

**Offtake Sizes:** DN 80 - DN 300

**Maximum Operating Pressure:** 1600 kPa (up to and including DN 450)

**Flange Drilling and Class Options:** PN 16 to AS 4087 with Table C,D compatible drilling (AS 2129)

**Temperature Range:** -10°C to 60°C

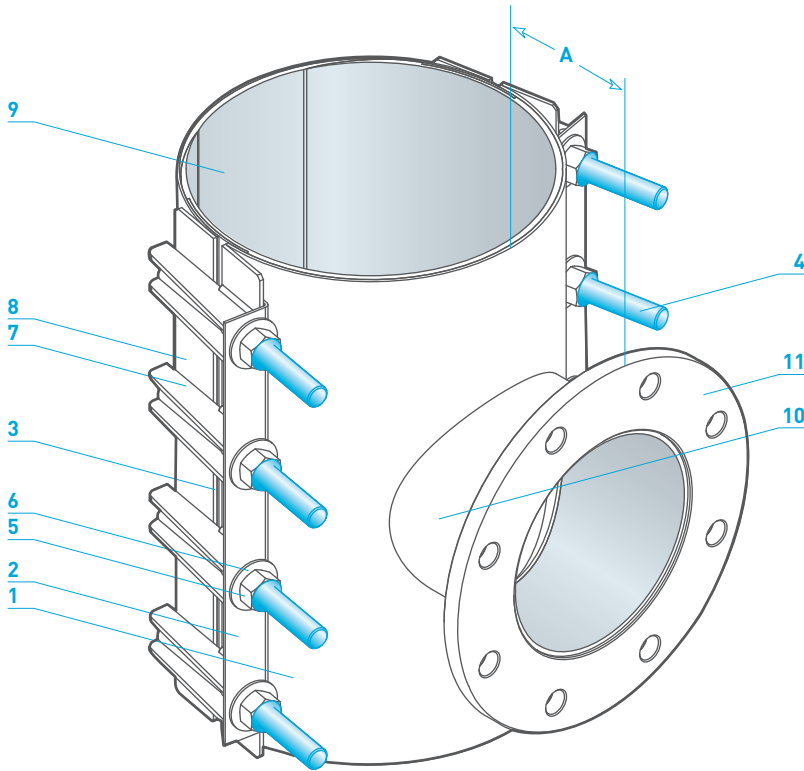
**Relevant Standards:** AS 4181

Caution: The clamp should NOT be rotated after it is assembled around the pipe

# WANG FLANGED OFFTAKE CLAMPS

## DN 100 – DN 900

STAINLESS STEEL FLANGED OFFTAKE CLAMPS FOR 'T' CONNECTIONS ONTO NEW OR EXISTING PIPING SYSTEMS



### WANG FLANGED OFFTAKE CLAMP PARTS LIST

No.	Description / Material / Standard
1	Skin 316 Stainless Steel / ASTM A240M
2	Locking Plate 316 Stainless Steel / ASTM A240M
3	Bridge Plate 316 Stainless Steel bonded to gasket / ASTM A240M
4	Studs / 316 Stainless Steel – anti-galling compound coated / ASTM A276
5	Nuts / 316 Stainless Steel – anti-galling compound coated / AS 1112.1 or DIN 934
6	Washers 316 Stainless Steel / ISO 7089
7	Lugs 316 Stainless Steel / ASTM A276
8	Flats 316 Stainless Steel / ASTM A276
9	Sealing Gasket Full-circle Nitrile (NBR) compound AS 1646 and AS/NZS 4020
10	Offtake Pipe 316 Stainless Steel / ASTM A312M or ASME B36.19M
11	Offtake Flange 316 Stainless Steel / ASTM A240M or A182, AS 4087

#### Notes

1. For size-on-size tapplings, it is recommended to use the next lowest DN sized shell cutter, in accordance with WSA Underpressure Tapping code of practice.

2. Wang Flanged Offtake Clamps do not provide axial pipe restraint.

### WANG FLANGED OFFTAKE CLAMP DATA

Nominal size DN	Offtake size mm	Clamp length mm	No. of bolts	No. of parts	No. of studs per part	Code prefix	Clamp OD range mm	PN rating
100 - 125	80, 100	400	8	2	4	K8	5	16
150 - 350	80, 100, 150	400	8	2	4	K8	10	16
375 - 450	80, 100, 150	400	10	2	5	K10	10	16
200 - 450	200, 225, 250	600	14	2	7	K14	10	16
300 - 450	300	800	20	2	10	K20	10	16

Other flange classes and drilling patterns may be available upon request.

### OFFTAKE DIMENSIONS

Flange Size	A mm
80 - 150	90
200 - 225	105
250 - 300	125



VIADUX PTY LTD  
VIADUX.COM.AU / PHONE 1300VIADUX

All Viadux trademarks and logos are owned by Viadux Pty Ltd. All other brand or product names are trademarks or registered marks of their respective owners. Because we are continuously improving our products and services, Viadux reserves the right to change specifications without prior notice.