

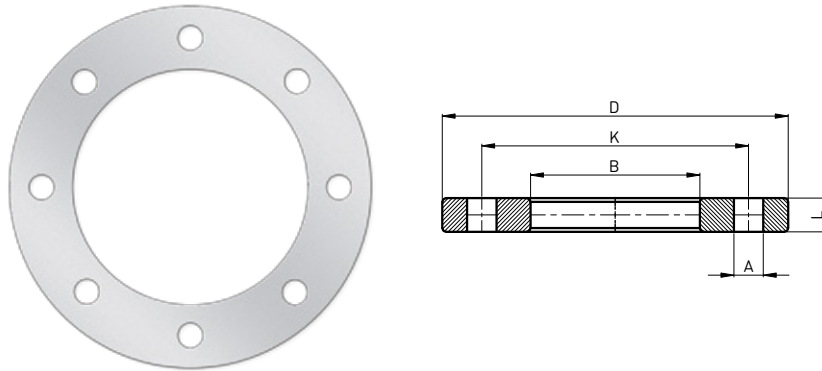


**advantage<sup>®</sup>**  
PE  
BACKING  
RINGS

# SPIGOT FITTINGS

## ANSI 150 BACKING RINGS - GALVANISED STEEL

BACKING RINGS DESIGNED AND MANUFACTURED TO ANSI 150 FOR FLANGE APPLICATIONS



### BACKING RINGS - GALVANISED STEEL ANSI 150

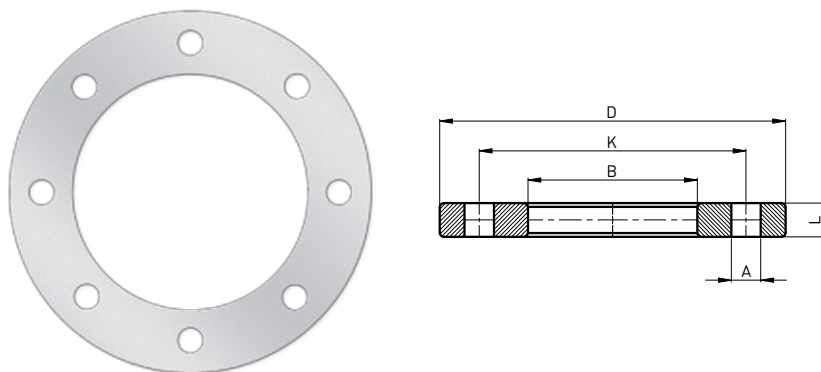
CODE	PD (mm)	D (mm)	B (mm)	K (mm)	L (mm)	A (mm)	BOLT DIAMETER	NUMBER OF HOLES	BOX QTY.
PO900.425.063	63	152	78	120.5	10	20	5/8"	4	1
PO900.425.075	75	178	92	139.5	10	20	5/8"	4	1
PO900.425.090	90	191	108	152.0	12	20	5/8"	4	1
PO900.425.110	110	229	128	190.5	12	20	5/8"	8	1
PO900.425.125	125	254	140	216.0	16	23	3/4"	8	1
PO900.425.140	140	254	158	216.0	16	23	3/4"	8	1
PO900.425.160	160	279	178	241.0	16	23	3/4"	8	1
PO900.425.180	180	279	195	241.0	16	23	3/4"	8	1
PO900.425.200	200	343	235	298.5	20	23	3/4"	8	1
PO900.425.225	225	343	240	298.5	20	23	3/4"	8	1
PO900.425.250	250	406	290	362.0	20	26	7/8"	12	1
PO900.425.280	280	406	300	362.0	20	26	7/8"	12	1
PO900.425.315	315	483	345	432.0	25	26	7/8"	12	1
PO900.425.355	355	535	376	476.0	28	29	1"	12	1
PO900.425.400	400	600	430	540.0	32	29	1"	16	1
PO900.425.450	450	635	480	578.0	36	32	1.1/8"	16	1
PO900.425.500	500	700	533	635.0	40	32	1.1/8"	20	1
PO900.425.560	560	750	590	692.0	46	35	1.1/4"	20	1
PO900.425.630	630	813	660	749.0	50	35	1.1/4"	20	1

PD = Pipe Diameter

# SPIGOT FITTINGS

## TABLE D BACKING RINGS - GALVANISED STEEL

BACKING RINGS DESIGNED AND MANUFACTURED TO AS2129/AS4087 FOR FLANGE APPLICATIONS



BACKING RINGS - GALVANISED STEEL  
TABLE D | PN10 | AS2129/AS4087

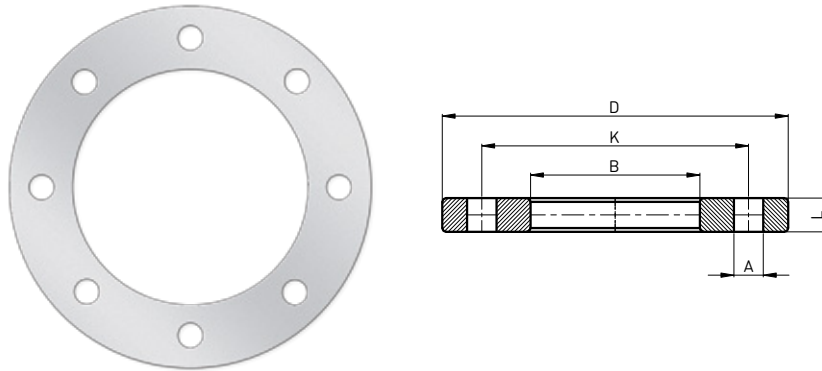
CODE	PD (mm)	D (mm)	B (mm)	K (mm)	L (mm)	A (mm)	BOLT DIAMETER	NUMBER OF HOLES	BOX QTY.
PO900.415.110	110	215	128	178	10	18	16	4	1
PO900.415.125	125	255	140	210	13	18	16	8	1
PO900.415.140	140	255	158	210	13	18	16	8	1
PO900.415.160	160	280	178	235	13	18	16	8	1
PO900.415.180	180	280	195	235	13	18	16	8	1
PO900.415.200	200	335	235	292	13	18	16	8	1
PO900.415.225	225	335	240	292	13	18	16	8	1
PO900.415.250	250	405	290	356	16	22	20	8	1
PO900.415.280	280	405	300	356	16	22	20	8	1
PO900.415.315	315	455	345	406	19	22	20	12	1
PO900.415.355	355	525	376	470	22	26	24	12	1
PO900.415.400	400	580	430	521	22	26	24	12	1
PO900.415.450	450	640	480	584	25	26	24	12	1
PO900.415.500	500	705	533	641	29	26	24	16	1
PO900.415.560	560	760	590	699	32	30	27	16	1
PO900.415.630	630	825	660	756	32	30	27	16	1

PD = Pipe Diameter

# SPIGOT FITTINGS

## TABLE E BACKING RINGS - GALVANISED STEEL

BACKING RINGS DESIGNED AND MANUFACTURED TO AS2129/AS4087 FOR FLANGE APPLICATIONS



BACKING RINGS - GALVANISED STEEL  
TABLE E | PN16 | AS2129/AS4087

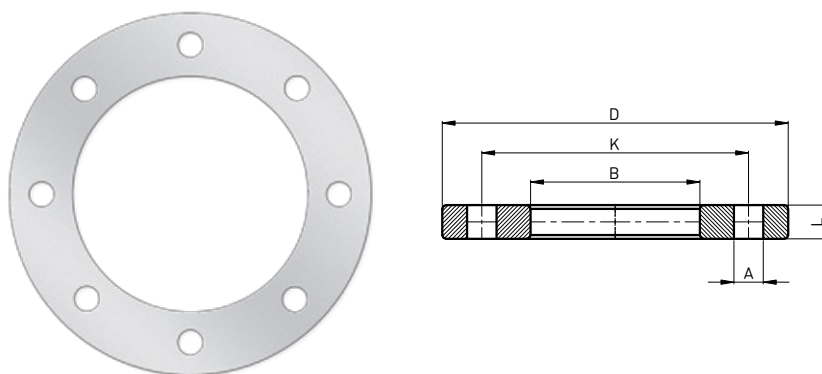
CODE	PD (mm)	D (mm)	B (mm)	K (mm)	L (mm)	A (mm)	BOLT DIAMETER	NUMBER OF HOLES	BOX QTY.
PO900.416.050	50	135	62	98	9	14	12	4	1
PO900.416.063	63	150	78	114	10	18	16	4	1
PO900.416.075	75	165	92	127	10	18	16	4	1
PO900.416.090	90	185	108	146	12	18	16	4	1
PO900.416.110	110	215	128	178	13	18	16	8	1
PO900.416.125	125	255	140	210	14	18	16	8	1
PO900.416.140	140	255	158	210	14	18	16	8	1
PO900.416.160	160	280	178	235	17	22	20	8	1
PO900.416.180	180	280	195	235	17	22	20	8	1
PO900.416.200	200	335	235	292	19	22	20	8	1
PO900.416.225	225	335	240	292	19	22	20	8	1
PO900.416.250	250	405	290	356	22	22	20	12	1
PO900.416.280	280	405	300	356	22	22	20	12	1
PO900.416.315	315	455	345	406	25	26	24	12	1
PO900.416.355	355	525	376	470	29	26	24	12	1
PO900.416.400	400	580	430	521	32	26	24	12	1
PO900.416.450	450	640	480	584	35	26	24	16	1
PO900.416.500	500	705	533	641	38	26	24	16	1
PO900.416.560	560	760	620	699	44	30	27	16	1
PO900.416.630	630	825	650	756	48	33	30	16	1

PD = Pipe Diameter

# SPIGOT FITTINGS

## ANSI 150 BACKING RINGS - STAINLESS STEEL

BACKING RINGS DESIGNED AND MANUFACTURED TO ANSI 150 FOR FLANGE APPLICATIONS



### BACKING RINGS - STAINLESS STEEL ANSI 150

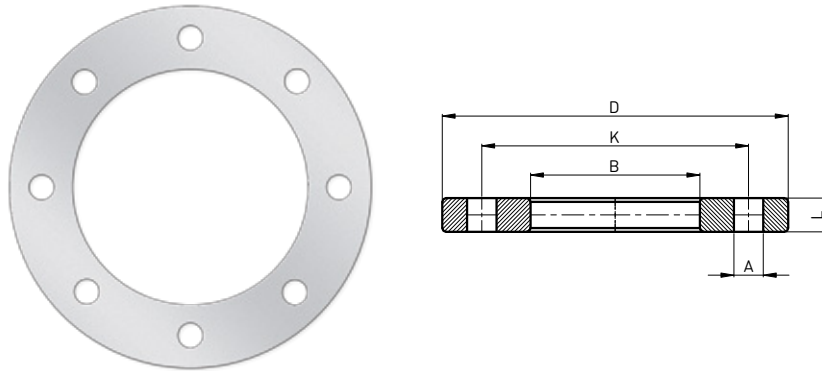
CODE	PD (mm)	D (mm)	B (mm)	K (mm)	L (mm)	A (mm)	BOLT DIAMETER	NUMBER OF HOLES	BOX QTY.
PO900.430.063	63	152	78	120.5	10	20	5/8"	4	1
PO900.430.075	75	178	92	139.5	10	20	5/8"	4	1
PO900.430.090	90	191	108	152.0	12	20	5/8"	4	1
PO900.430.110	110	229	128	190.5	12	20	5/8"	8	1
PO900.430.125	125	254	140	216.0	16	23	3/4"	8	1
PO900.430.140	140	254	158	216.0	16	23	3/4"	8	1
PO900.430.160	160	279	178	241.0	16	23	3/4"	8	1
PO900.430.180	180	279	195	241.0	16	23	3/4"	8	1
PO900.430.200	200	343	235	298.5	20	23	3/4"	8	1
PO900.430.225	225	343	240	298.5	20	23	3/4"	8	1
PO900.430.250	250	406	290	362.0	20	26	7/8"	12	1
PO900.430.280	280	406	300	362.0	20	26	7/8"	12	1
PO900.430.315	315	483	345	432.0	25	26	7/8"	12	1
PO900.430.355	355	535	376	476.0	28	29	1"	12	1
PO900.430.400	400	600	430	540.0	32	29	1"	16	1
PO900.430.450	450	635	480	578.0	36	32	1.1/8"	16	1
PO900.430.500	500	700	533	635.0	40	32	1.1/8"	20	1
PO900.430.560	560	750	590	692.0	46	35	1.1/4"	20	1
PO900.430.630	630	813	660	749.0	50	35	1.1/4"	20	1

PD = Pipe Diameter

# SPIGOT FITTINGS

## TABLE D BACKING RINGS - STAINLESS STEEL

BACKING RINGS DESIGNED AND MANUFACTURED TO AS2129/AS4087 FOR FLANGE APPLICATIONS



BACKING RINGS - STAINLESS STEEL  
TABLE D | PN10 | AS2129/AS4087

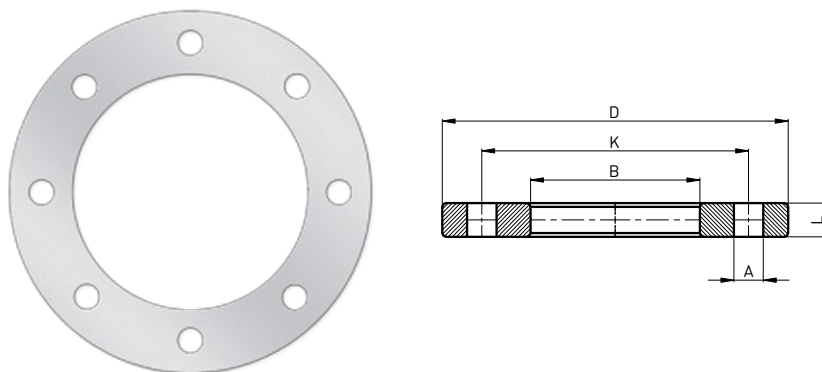
CODE	PD (mm)	D (mm)	B (mm)	K (mm)	L (mm)	A (mm)	BOLT DIAMETER	NUMBER OF HOLES	BOX QTY.
PO900.422.050	50	135	62	98	8	14	12	4	1
PO900.422.063	63	150	78	114	8	18	16	4	1
PO900.422.075	75	165	92	127	8	18	16	4	1
PO900.422.090	90	185	108	146	10	18	16	4	1
PO900.422.110	110	215	128	178	10	18	16	4	1
PO900.422.125	125	255	140	210	13	18	16	8	1
PO900.422.140	140	255	158	210	13	18	16	8	1
PO900.422.160	160	280	178	235	13	18	16	8	1
PO900.422.180	180	280	195	235	13	18	16	8	1
PO900.422.200	200	335	235	292	13	18	16	8	1
PO900.422.225	225	335	240	292	13	18	16	8	1
PO900.422.250	250	405	290	356	16	22	20	8	1
PO900.422.280	280	405	300	356	16	22	20	8	1
PO900.422.315	315	455	345	406	16	22	20	12	1
PO900.422.355	355	525	376	470	22	26	24	12	1
PO900.422.400	400	580	430	521	22	26	24	12	1
PO900.422.450	450	640	480	584	25	26	24	12	1
PO900.422.500	500	705	533	641	29	26	24	16	1
PO900.422.560	560	760	590	699	32	30	27	16	1
PO900.422.630	630	825	660	756	32	30	27	16	1

PD = Pipe Diameter

# SPIGOT FITTINGS

## TABLE E BACKING RINGS - STAINLESS STEEL

BACKING RINGS DESIGNED AND MANUFACTURED TO AS2129/AS4087 FOR FLANGE APPLICATIONS



BACKING RINGS - STAINLESS STEEL  
TABLE E | PN16 | AS2129/AS4087

CODE	PD (mm)	D (mm)	B (mm)	K (mm)	L (mm)	A (mm)	BOLT DIAMETER	NUMBER OF HOLES	BOX QTY.
PO900.420.050	50	135	62	98	9	14	12	4	1
PO900.420.063	63	150	78	114	10	18	16	4	1
PO900.420.075	75	165	92	127	10	18	16	4	1
PO900.420.090	90	185	108	146	12	18	16	4	1
PO900.420.110	110	215	128	178	13	18	16	8	1
PO900.420.125	125	255	140	210	14	18	16	8	1
PO900.420.140	140	255	158	210	14	18	16	8	1
PO900.420.160	160	280	178	235	17	22	20	8	1
PO900.420.180	180	280	195	235	17	22	20	8	1
PO900.420.200	200	335	235	292	19	22	20	8	1
PO900.420.225	225	335	240	292	19	22	20	8	1
PO900.420.250	250	405	290	356	22	22	20	12	1
PO900.420.280	280	405	300	356	22	22	20	12	1
PO900.420.315	315	455	345	406	25	26	24	12	1
PO900.420.355	355	525	376	470	29	26	24	12	1
PO900.420.400	400	580	430	521	32	26	24	12	1
PO900.420.450	450	640	480	584	35	26	24	16	1
PO900.420.500	500	705	533	641	38	26	24	16	1
PO900.420.560	560	760	590	699	44	30	27	16	1
PO900.420.630	630	825	660	756	48	33	30	16	1

PD = Pipe Diameter



# advantage<sup>®</sup>

## PE BACKING RINGS

### PROJECT OFFICE

#### SYDNEY

P: 02 9794 3440  
F: 02 9794 3499  
E: projects@viadux.com.au

### CUSTOMER CENTRES

#### ADELAIDE

P: 08 8340 3411  
F: 08 8340 3422  
E: cca.sales@viadux.com.au

#### BRISBANE

P: 07 5589 4400  
F: 07 5534 7079  
E: ccb.sales@viadux.com.au

#### DARWIN

P: 08 8935 3300  
F: 08 8947 3981  
E: ccd.sales@viadux.com.au

#### GOLD COAST

P: 07 5589 4400  
F: 07 5534 7079  
E: ccg.sales@viadux.com.au

#### MELBOURNE

P: 03 9309 9133  
F: 03 9309 6237  
E: ccm.sales@viadux.com.au

#### NEWCASTLE

P: 02 4914 0700  
F: 02 4966 8776  
E: ccn.sales@viadux.com.au

#### PERTH

P: 08 9346 8500  
F: 08 9346 8501  
E: ccp.sales@viadux.com.au

#### SYDNEY

P: 02 9794 3440  
F: 02 9794 3499  
E: ccs.sales@viadux.com.au

#### TOWNSVILLE

P: 07 4725 5940  
F: 07 4725 4995  
E: cct.sales@viadux.com.au

### VIADUX WATER NETWORK SYSTEMS

PO BOX 141 FAIRFIELD, NEW SOUTH WALES 1860 / VIADUX.COM.AU

PHONE 02 9794 3400 AUSTRALIA

All Viadux trademarks and logos are owned by Viadux Pty. Ltd. All other brand or product names are trademarks or registered marks of their respective owners. Because we are continuously improving our products and services, Viadux reserves the right to change specifications without prior notice.