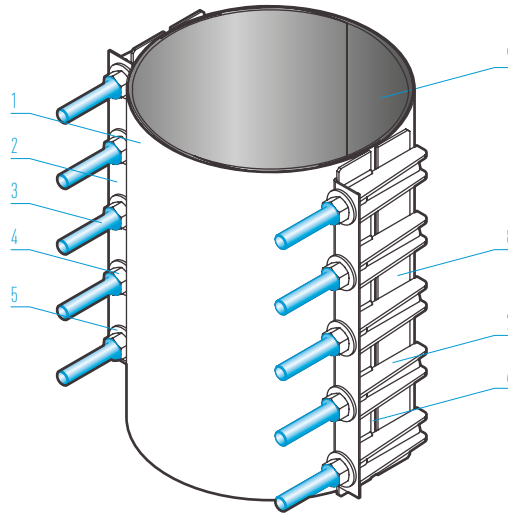


STAINLESS STEEL REPAIR CLAMPS

DN 40 - DN 1200

FAST, PERMANENT REPAIR AND REINFORCEMENT SOLUTION FOR MOST PIPE TYPES AND SIZES

SINGLE PART REPAIR CLAMP



PARTS LIST

No.	Description	Material / Standard
1	Skin	316 Stainless Steel / ASTM A240M
2	Locking Plate	316 Stainless Steel / ASTM A240M
3	Studs	316 Stainless Steel – anti-galling compound coated / ASTM A276
4	Nuts	316 Stainless Steel – anti-galling compound coated / AS 1112.1
5	Washers	316 Stainless Steel / ISO 7089
6	Bridge Plate	316 Stainless Steel bonded to gasket ASTM A240M
7	Lugs	316 Stainless Steel / ASTM A240M
8	Flat Bars	316 Stainless Steel / ASTM A276 or A240M
9	Sealing Gasket	Full-circle Nitrile / (NBR) Compound AS 1646 and AS/NZS 4020

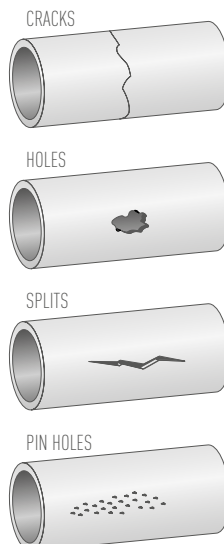
DOUBLE PART REPAIR CLAMP



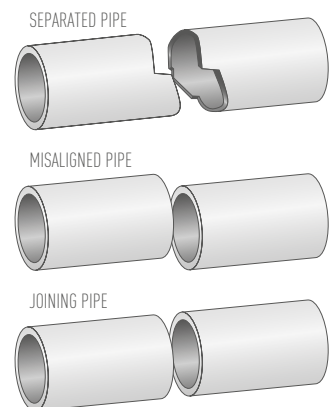
MULTI PART REPAIR CLAMP



REPAIR CLAMPS APPLICATIONS RECOMMENDED



REPAIR CLAMPS APPLICATIONS **NOT** RECOMMENDED



CLAMPS & COUPLINGS

WANG is one of the leading manufacturers and suppliers of Grade 316 Stainless Steel Repair and Tapped Clamps as well as Couplings for reticulated water, sewerage and gas mains including industrial piping systems.

WANG products have become synonymous with quality and reliability. Our product range is widely utilised and relied upon by Water Authorities and Councils throughout Australia in the installation and maintenance of their supply mains and reticulation network.

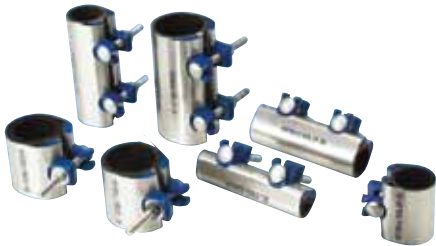


WANG products can be sourced through the Viadux national sales and service network of customer centres.

Viadux is a specialist in integrated solutions for all your water and wastewater pipeline system requirements.

KWIK CLAMPS

A full circle repair clamp for small bore galvanised steel, copper and PVC pipe. DN 15 - DN 50



HDPE CLAMPS

Provide fast, expedient on-site repair and tapping solutions for HDPE pipe. DN 40 - DN 600



TAPPED CLAMPS

A reliable means of tapping into old, unstable or damaged pipe. DN 50 - DN 1200



TAPPING SADDLES

Permanent tapping solution for both rigid and flexible pipe. DN 40 - DN 450



FLANGED OFFTAKE CLAMPS

A cost effective means of achieving a "T" connection or under pressure tapping. DN 100 - DN 900



SEWER OB JUNCTION CLAMPS

A quick method of installing a new property service connection on a sewer main. DN 100 - DN 450



VARI GIB COUPLINGS

Non-restrained mechanical couplings for connecting pipes with equal or unequal diameters. DN 40 - DN 1200



HIGH PRESSURE COUPLINGS

Provides a mechanical joint between similar or dissimilar pipes in high pressure environments. DN 150 - DN 2000



SOCKET JOINT LEAK CLAMPS

Provide a permanent and economical seal over a leaking socket-spigot joint. DN 80 - DN 1200



DISTRIBUTED BY VIADUX

ADELAIDE
P: 08 8340 3411
F: 08 8340 3422
E: ccasales@viadux.com.au

BRISBANE
P: 07 5589 4400
F: 07 5534 7079
E: ccbsales@viadux.com.au

DARWIN
P: 08 8935 3300
F: 08 8947 3981
E: ccdsales@viadux.com.au

GOLD COAST
P: 07 5589 4400
F: 07 5534 7079
E: ccgsales@viadux.com.au

MELBOURNE
P: 03 9309 9133
F: 03 9309 6237
E: ccmsales@viadux.com.au

NEWCASTLE
P: 02 4914 0700
F: 02 4966 8776
E: ccnsales@viadux.com.au

PERTH
P: 08 9346 8500
F: 08 9346 8501
E: ccpsales@viadux.com.au

SYDNEY
P: 02 9794 3440
F: 02 9794 3499
E: ccssales@viadux.com.au

TOWNSVILLE
P: 07 4725 5940
F: 07 4725 4995
E: cctsales@viadux.com.au

WANG COMPONENTS

CNR GIBSON STREET & SANDFORD ROAD, WANGARATTA, VICTORIA 3677
PHONE 03 5722 7400 / FAX 03 5722 7444

All WANG trademarks and logos are owned by Wang Components. All other brand or product names are trademarks or registered marks of their respective owners. Because we are continuously improving our products and services, Wang Components reserves the right to change specifications without prior notice. AP0315 © 2015 Wang Components. All Rights Reserved.





STAINLESS STEEL REPAIR CLAMPS

DN 40 - DN 1200

FAST, PERMANENT REPAIR AND REINFORCEMENT SOLUTION FOR MOST PIPE TYPES AND SIZES



FEATURES

Manufactured from grade 316 stainless steel for superior corrosion protection

Nitrile rubber gaskets provide a potable water contact approved seal and insulates against galvanic corrosion

Fully passivated stainless steel underscores the quality and longevity of the product

Clamp design permits the installation of a single clamp on a range of pipe diameters

All sharp surfaces finished to avoid injury to the installer

Product supplied with detailed installation instructions

Dry film anti-galling coating employed to minimise galling of the stainless steel fasteners

Manufacturing facility certified to the ISO 9001 quality assured standard

DESCRIPTION

The use of high quality Stainless Steel and Nitrile Rubber gaskets permits use of the product in a range of applications from reticulated water and sewerage to industrial use

A Repair Clamp's variable OD Range enables a single clamp to adapt to any pipe OD within that variable range. This dramatically reduces the stocking requirement to cater for each individual pipe type and size

APPLICATION

Repair Clamps provide a permanent repair solution for most leaking, cracked or damaged pipe

They are also an effective means of reinforcing old pipe in critical areas or providing an effective seal for decommissioned service connections

TECHNICAL DATA

Size Range: DN 40 - DN 1200

Maximum Operating Pressure:
Up to 690mm OD: 1600 kPa

Temperature Range:
-10°C to 60°C

Product Certification:
AS 4181 Lic. No SMK1785

Note: Wang Repair Clamps should not be used to join pipe and DO NOT provide axial pipe restraint.

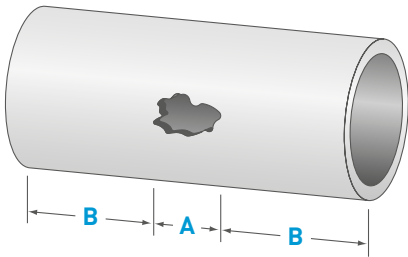
The use of a Vari-Gib Pipe Coupling is recommended for pipe joining applications

CALCULATING THE MINIMUM RECOMMENDED CLAMP LENGTH

When repairing a damaged pipe, it is important to select a clamp of the right length relative to the length of the damage being repaired. For effective sealing, there should be sufficient gasket in contact with the pipe between the edge of the damage and the end of the clamp on each side.

The diagram and table below provide a method of ensuring that the selected clamp is no less than the minimum recommended length for an effective seal.

Minimum recommended clamp length = A + 2B



EXAMPLE: CALCULATING MINIMUM CLAMP LENGTH

You require a clamp to repair a DN 300 Sr.2 PVC pipe with a 100mm wide hole

- Determine the minimum required clamp length with formula (A+2B).
A = Damage dimension = 100mm
B = Seal length (extract from table below) = 100mm
Therefore MINIMUM clamp length = (100 + [2x100]) = 300mm.
- Standard clamp length from table below for a DN 300 pipe = 300mm.
Therefore a standard clamp from the selection chart (page 3 & 4) can be used.
- However if the damage had been more than 100mm in length, a standard clamp (300mm long in this example) would be too short.
- Contact Pentair Water Solutions in such an instance for assistance for the next available option in clamp length.

MINIMUM REQUIRED SEAL LENGTH 'B'

NOM. PIPE DIA. DN	MIN. SEAL LENGTH 'B' mm	STANDARD CLAMP LENGTHS mm
40 - 80	50	150
100 - 200	65	200
225 - 300	100	300
350 - 600	150	400

REPAIR CLAMPS TYPICAL SPECIFYING SEQUENCE

K	15	-	600	C	D
K	= Clamp code				
15	= Number of fasteners				
-	= Delineator				
600	= Start of OD range				
C	= Number of clamp segments (see table below)				
D	= Clamp length, mm (see table below)				

WANG REPAIR CLAMPS STANDARD CLAMP CONFIGURATIONS

PRODUCT CODE ENDING	NO. OF CLAMP SEGMENTS			CLAMP LENGTH mm				CLAMP OD RANGE mm
	A	B	C	A	B	C	D	
AA	1			150				5
AB	1				200			10
AC	1					300		10
AD	1						400	10
BD		2					400	20
CD			3				400	30

EXAMPLE: TO DETERMINE THE CONFIGURATION OF A REPAIR CLAMP FROM ITS PRODUCT CODE, EG: K10-490BD

K10 = 10 bolt clamp

490 = Start of the clamp's OD range

BD = 20mm OD range (table above)
Therefore Clamp OD range is 490 to 510mm

B = No. of clamp segments = 2 (table above)

D = Clamp length = 400 mm (table above)

Conclusion

10 bolt x 2 part Repair Clamp,
400 mm long with an OD range of 490 to 510mm

REPAIR CLAMPS SELECTION CHART

NOM. PIPE SIZE DN	DICL	STEEL		CICL		AC	
	AS/NZS 2280	MSCL AS 1579	GWJ AS 1074	B AS 1724	C AS 2544	AB AS 1711	
40			K2-047AA 48mm				
50			K2-059AA 60mm			K2-069AA 69mm	
65			K2-076AA 76mm			K2-076AA 79mm	
80	K2-095AB 96mm		K2-085AB 89mm	K2-095AB 96mm	K2-095AB 96mm	K2-095AB 96mm	
100	K2-120AB 122mm	K2-114AB 114mm	K2-114AB 114mm	K2-120AB 122mm	K2-120AB 122mm	K2-120AB 122mm	
125		K2-140AB 140mm	K2-140AB 140mm		K2-140AB 149mm		
150	K2-175AB 177mm	K2-160AB 168mm	K2-160AB 168mm	K2-175AB 177mm	K2-175AB 177mm	K2-175AB 177mm	
175					K2-200AB 203mm		
200	K2-230AB 232mm	K2-215AB 218mm		K2-230AB 232mm	K2-230AB 232mm	K2-230AB 232mm	
225	K4-250AC 259mm			K4-250AC 259mm	K4-250AC 259mm	K4-250AC 259mm	
250	K4-285AC 286mm	K4-270AC 273mm		K4-285AC 286mm	K4-285AC 286mm	K4-285AC 286mm	
300	K4-340AC 345mm	K4-320AC 324mm		K4-330AC 334mm	K4-340AC 345mm	K4-330AC 334mm	
350		K10-350BD 355mm					
375	K10-410BD 426mm	K10-400BD 406mm		K10-410BD 413mm	K10-410BD 426mm	K10-410BD 413mm	
400		K10-450BD 457mm					
450	K10-490BD 507mm	K10-490BD 508mm		K10-490BD 492mm	K10-490BD 507mm	K10-490BD 492mm	
500	K15-560CD 560mm	K15-530CD 559mm		K15-530CD 545mm	K15-560CD 560mm		
525						K15-570CD 572mm	
600	K15-650CD 667mm	K15-600CD 610mm		K15-650CD 650mm	K15-650CD 667mm	K15-650CD 650mm	

Product Code
Pipe OD

K4-270AC
273mm

Note: The WANG Repair Clamp range extends beyond DN600. For sizes and configurations not listed above, please contact Viadux for assistance.
 *1 Min. required pipe rating for clamp application: PN9 *2 Min. required pipe rating for clamp application: SN10,000 *3 Min. required pipe rating for clamp application: U=PN9 / M=PN12

	ABS*1	GRP*2	RC	COPPER	PVC-U/M*3	
CD AS 1711	SERIES 1 AS 3518	SERIES 1 -B5 AS 3571	AS 4058	AS 1432	SERIES 1 (U) AS/NZS 1477 (M) AS/NZS 4765	SERIES 2 (U) AS/NZS 1477 (M) AS/NZS 4765
	K2-047AA 48mm			N/A 38mm	K2-047AA 48mm	
	K2-059AA 60mm			K2-047AA 51mm	K2-059AA 60mm	
	K2-075AA 75mm			K2-063AA 64mm	K2-075AA 75mm	
K2-095AB 96mm	K2-085AB 89mm			K2-076AA 76mm	K2-085AB 89mm	
K2-120AB 122mm	K2-114AB 114mm	K2-120AB 122mm		K2-095AB 101mm	K2-114AB 114mm	K2-120AB 122mm
	K2-140AB 140mm			K2-120AB 127mm	K2-140AB 140mm	
K2-175AB 177mm	K2-160AB 168mm	K2-175AB 177mm	K2-190AB 197mm	K2-150AB 152mm	K2-160AB 160mm	K2-175AB 177mm
					K2-200AB 200mm	
K2-230AB 232mm	K2-215AB 225mm	K2-230AB 232mm		K2-200AB 203mm	K2-215AB 225mm	K2-230AB 232mm
K4-250AC 259mm	K4-250AC 250mm	K4-250AC 259mm	K4-275AC 279mm	K2-225AB 229mm	K4-250AC 250mm	K4-250AC 259mm
K4-285AC 286mm		K4-285AC 286mm			K4-275AC 280mm	K4-285AC 286mm
K4-340AC 345mm	K4-310AC 315mm	K4-340AC 345mm	K10-350BD 362mm		K4-310AC 315mm	K4-340AC 345mm
	K10-350BD 355mm	K10-390BD 399mm			K10-350BD 355mm	
K10-410BD 426mm	K10-400BD 400mm	K10-410BD 426mm	K10-440BD 445mm		K10-400BD 400mm	K10-410BD 426mm
	K10-450BD 450mm	K10-450BD 453mm			K10-450BD 450mm	
K10-490BD 507mm	K10-490BD 500mm	K10-490BD 507mm	K15-530CD 533mm		K10-490BD 500mm	K10-490BD 507mm
	K15-560CD 560mm	K15-560CD 560mm			K15-560CD 560mm	K15-560CD 560mm
K15-570CD 587mm		K15-570CD 587mm	K15-610CD 616mm			
K15-650CD 667mm	K15-620CD 630mm	K15-650CD 667mm	K15-690CD 699mm		K15-620CD 630mm	K15-650CD 667mm

Product Code
Pipe OD