



# TAPPED OFFTAKE REPAIR CLAMPS

DN 50 – DN 1200

FOR TAPPING INTO OLD, UNSTABLE OR DAMAGED PIPE WHERE BOTH TAPPING & REINFORCEMENT ARE A REQUIREMENT



## FEATURES

Tapped Offtake Repair Clamps provide rehabilitation to damaged and unstable pipes that require a tapping installation

Offtake is a stainless steel female BSP threaded socket from DN 20 - DN 100 for the connection of threaded valves and fittings

Clamp body provides pipe reinforcement once the pipe is tapped

Each clamp fits a range of pipe diameters

Passivated 316 stainless steel construction maximises corrosion protection and performance life

Full-circle nitrile rubber gasket insulates against galvanic pipe corrosion

Supplied with plastic thread protectors

All sharp surfaces finished to avoid harm to the installer

Dispatched with installation instructions

Dry film anti-galling coating employed to minimise galling of the stainless steel fasteners

Manufacturing facility certified to ISO 9001 Quality Assured Standard

## DESCRIPTION

The combination of quality materials and superior design allows this clamp to be utilised in a variety of applications and industries where a tapping is required off an existing pipe

## APPLICATION

A fast and economical way to tap into old or unstable pipe and repair pipes with damaged service connections. Also provides an effective means of conducting a tapping under pressure

## TECHNICAL DATA

**Size Range:** DN 50 - DN 1200

**Offtake Sizes:** DN 20 - DN 100  
(Depending on host pipe size)

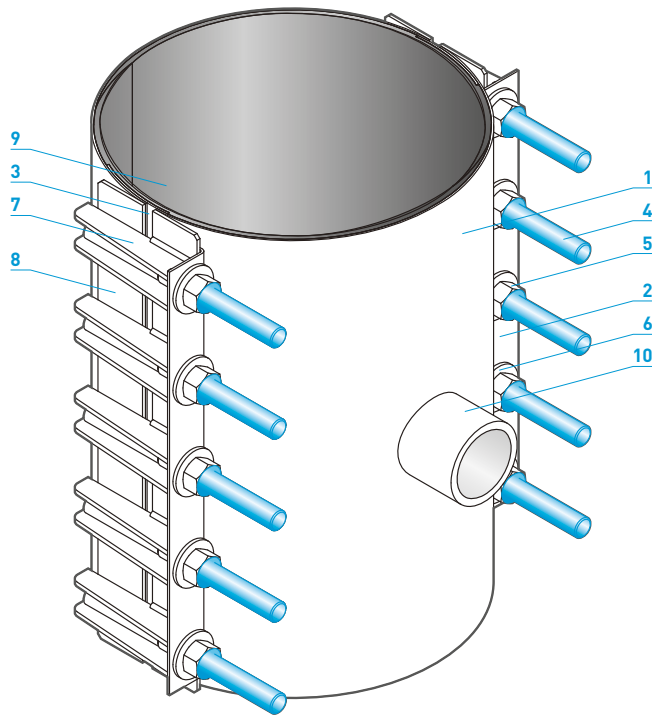
**Maximum Operating Pressure:**  
1600 kPa (up to and including DN 400)

**Temperature Range:** -10°C to 60°C

**Relevant Standards:** AS 4181

# TAPPED OFFTAKE REPAIR CLAMPS

DN 50 – DN 1200



## PARTS LIST

No.	Description / Material / Standard
1	Skin 316 Stainless Steel / ASTM A240M
2	Locking Plate 316 Stainless Steel / ASTM A240M
3	Bridge Plate 316 Stainless Steel bonded to gasket / ASTM A240M
4	Studs / 316 Stainless Steel – anti-galling compound coated / ASTM A276
5	Nuts / 316 Stainless Steel – anti-galling compound coated / AS 1112.1 or DIN 934
6	Washers 316 Stainless Steel / ISO 7089
7	Lugs 316 Stainless Steel / ASTM A240M
8	Flat Bars 316 Stainless Steel / ASTM A240M
9	Sealing Gasket Full-circle Nitrile (NBR) compound AS 1646 and AS/NZS 4020
10	BSP Offtake 316 Stainless Steel ISO 4144 or ANSI B16.3, AS 1722.1

## TAPPED OFFTAKE REPAIR CLAMP DATA

Nom size DN	Min. clamp length	Offtake sizes dn	Code prefix	No. of studs	No. of parts	No. of parts code	Clamp length code	Clamp OD Range mm
50	150	20,25,32	K2	2	1	A	A	5
65	150	20,25,32,40	K2	2	1	A	A	5
80	150	20,25,32,40	K2	2	1	A	A	5
80	200	20,25,32,40	K2	2	1	A	B	10
80	300	20,25,32,40	K3	3	1	A	C	10
100-125	200	20,25,32,40,50	K2	2	1	A	B	10
100-125	300	20,25,32,40,50	K3	3	1	A	C	10
150	200	20,25,32,40,50	K2	2	1	A	B	10
150	300	20,25,32,40,50	K3	3	1	A	C	10
200	200	20,25,32,40,50	K2	2	1	A	B	10
200	300	20,25,32,40,50	K3	3	1	A	C	10
225-250	300	20,25,32,40,50	K4	4	1	A	C	10
300	400	20,25,32,40,50	K5	5	1	A	D	10
300-400	400	20,25,32,40,50	K10	10	2	B	D	20

Note: Offtake sizes up to DN 100 are available where parent pipe size permits  
Offtake configurations other than female BSP are available upon request.

## TYPICAL SPECIFYING SEQUENCE

Sequence	Description
K	Clamp code
2	Number of fasteners 2 = 2 bolts 3 = 3 bolts 10 = 10 bolts
-	Delineator
215	Clamp size Start of OD range, ie, 215-225mm
T	Offtake type – tapped BSP socket
020	Nominal offtake size DN 20 = 020 / DN 25 = 025 DN 32 = 032 / DN 40 = 040 DN 50 = 050 / DN 65 = 065 DN 80 = 080 / DN 100 = 100
A	Number of parts A = 1 part / B = 2 part
B	Clamp length, mm (Refer to Standard clamp data table above) A = 150 / B = 200 / C = 300 / D = 400



## DISTRIBUTED BY VIADUX

**ADELAIDE**  
P: 08 8340 3411  
F: 08 8340 3422  
E: ccasales@viadux.com.au

**BRISBANE**  
P: 07 5589 4400  
F: 07 5534 7079  
E: ccbsales@viadux.com.au

**DARWIN**  
P: 08 8935 3300  
F: 08 8947 3981  
E: ccasales@viadux.com.au

**GOLD COAST**  
P: 07 5589 4400  
F: 07 5534 7079  
E: ccgsales@viadux.com.au

**NEWCASTLE**  
P: 02 4914 0700  
F: 02 4966 8776  
E: ccnsales@viadux.com.au

**PERTH**  
P: 08 9346 8500  
F: 08 9346 8501  
E: ccpsales@viadux.com.au

**SYDNEY**  
P: 02 9794 3440  
F: 02 9794 3499  
E: ccssales@viadux.com.au

**TOWNSVILLE**  
P: 07 4725 5940  
F: 07 4725 4995  
E: cctsales@viadux.com.au

**MELBOURNE**  
P: 03 9309 9133  
F: 03 9309 6237  
E: ccmsales@viadux.com.au

## WANG COMPONENTS

CNR GIBSON STREET & SANDFORD ROAD, WANGARATTA, VICTORIA 3677  
PHONE 03 5722 7400 / FAX 03 5722 7444

All WANG trademarks and logos are owned by Wang Components All other brand or product names are trademarks or registered marks of their respective owners Because we are continuously improving our products and services, Wang Components reserves the right to change specifications without prior notice  
AP0315 © 2015 Wang Components All Rights Reserved

