

TYTON JOINT® FITTINGS

DUCTILE IRON PIPE SYSTEMS

DN 80 - DN 750. MANUFACTURED TO AS/NZS 2280



Ductile Iron fittings for high strength and impact resistance

Suitable for 'in ground' or 'above ground' applications

All fittings are supplied with a thermally bonded polymeric coating for long life corrosion protection

Cement lined/bitumen coated fittings available upon request to suit local utility requirements

The TYTON® socket profile provides the flexibility of using TYTON gaskets for ductile iron OD compatible pipes, PLASTYT gaskets for series 1 PVC pipes or TYTON-LOK® gaskets for restrained joints

Joints can be deflected and permits axial movement to compensate for thermal expansion and contraction

DESCRIPTION

SUREFLOW® TYTON JOINT fittings are manufactured to AS/NZS 2280
Flange dimensions comply with AS 4087
DN 80 - DN 750

GENERAL APPLICATION

SUREFLOW TYTON JOINT pipeline fittings are used in the construction of new pipelines

Note. Some fittings have been superseded by the AUSLITE range.

TECHNICAL DATA

Size Range DN 80 - DN 750

Allowable Operating Pressure 1600 or 3500kPa

Maximum Temperature 50°C

Certification

ISC AS 2280 Certified Product
Licence No. PRD/R61/0412
AS/NZS 4020
Testing of products for use in contact with drinking water



TYTON JOINT® FITTINGS

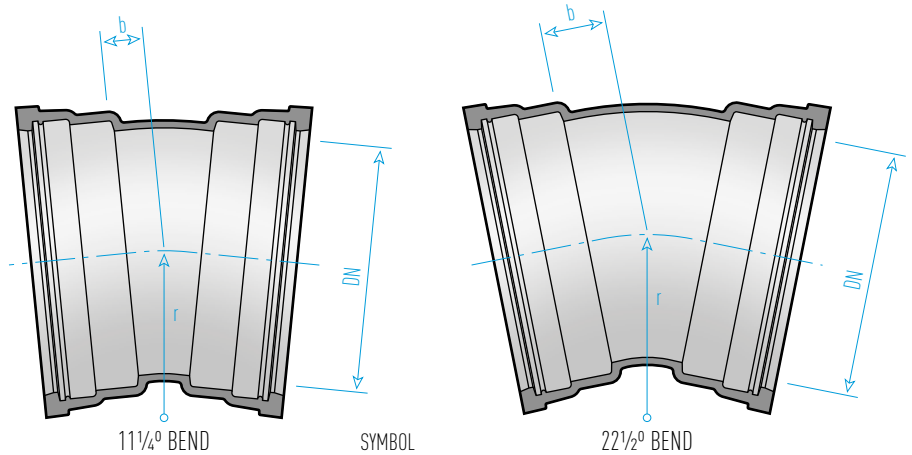
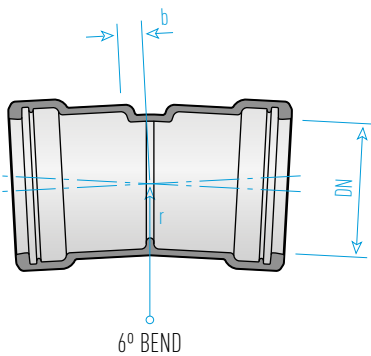
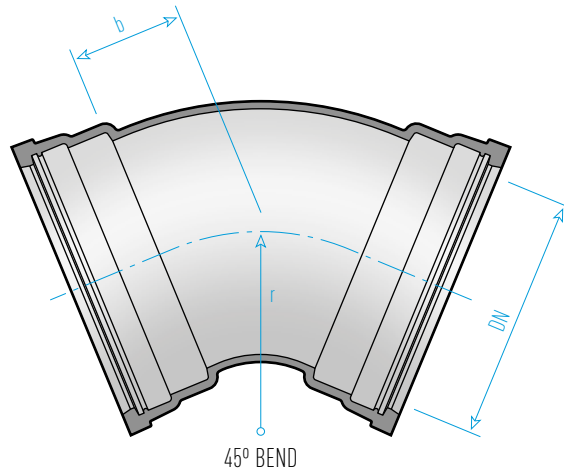
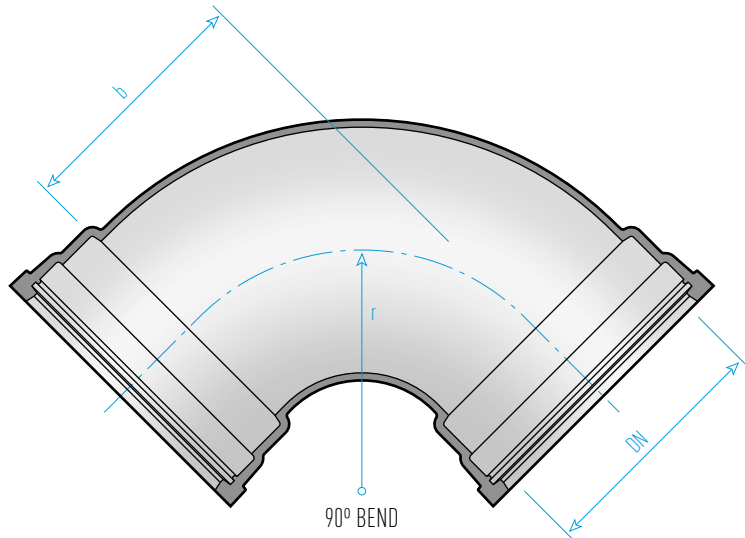
DUCTILE IRON PIPE SYSTEMS

SOCKET-SOCKET BENDS

Nom Size DN	r	Dimensions b				
		90°	45°	22½°	11¼°	6°
100	75	90	45	25	20	20
150	120	130	60	35	20	20
200	203	220	100	55	35	35
225	229	250	115	65	45	-
250	254	275	125	70	45	-
300	305	325	145	80	50	50
375	381	405	185	100	65	65
450	457	480	215	115	70	-
500	508	535	235	125	75	-
600	610	635	280	145	85	-
750	765	795	345	180	105	-

AUSLITE® fittings are highlighted in salmon

1. Thrust pads supplied on DN 100 and DN 150 for 90°, 45° and 22½° bends
2. Jointing lugs supplied on DN 100 to DN 750 for 90° and 45° bends



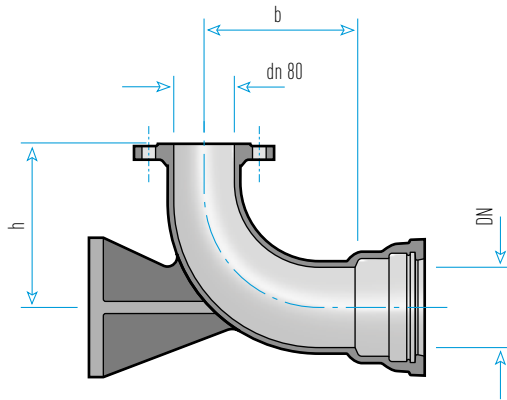
SYMBOL



TYTON JOINT® FITTINGS

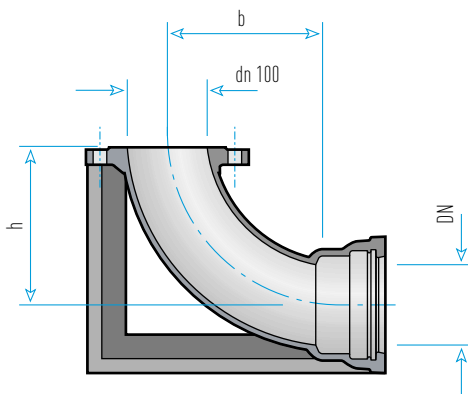
DUCTILE IRON PIPE SYSTEMS

HYDRANT BENDS



Nominal size	Dimensions		
	dn	b	h
DN 100	80	205	215
DN 150	80	280	245

WASHOUT BENDS



Nominal size	Dimensions		
	dn	b	h
DN 100	100	195	200
DN 150	100	160	200

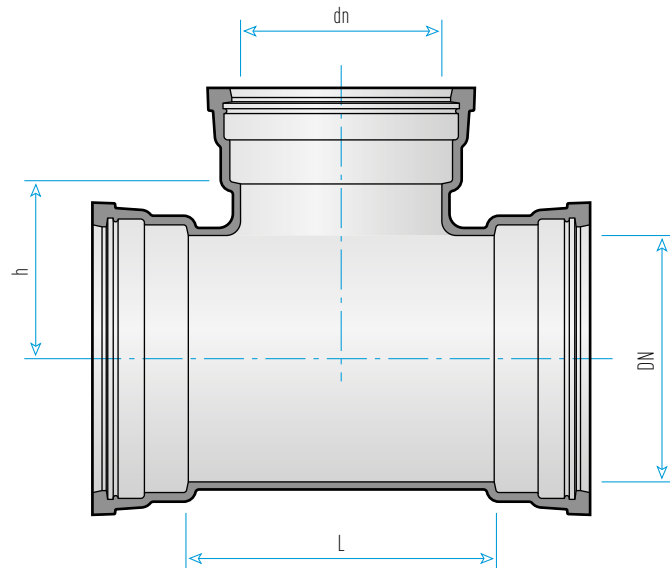
TYTON JOINT® FITTINGS

DUCTILE IRON PIPE SYSTEMS

SOCKET-SOCKETxSOCKET TEES

Nominal size		Dimensions	
Body DN	Branch dn	h	L
100	100	75	150
150	100	100	150
150	150	100	150
200	100	170	230
200	150	170	290
200	200	170	340
225	100	185	240
225	150	185	300
225	200	185	350
225	225	190	380
250	100	200	240
250	150	200	300
250	200	200	350
250	225	205	380
250	250	205	410
300	100	230	240
300	150	230	300
300	200	230	350
300	225	235	380
300	250	235	410
300	300	245	490
375	200	270	360
375	225	275	390
375	250	275	420
375	300	285	500
375	375	305	610
450	250	315	420
450	300	325	500
450	375	345	610
450	450	345	690

AUSLITE® fittings are highlighted in salmon



SYMBOL

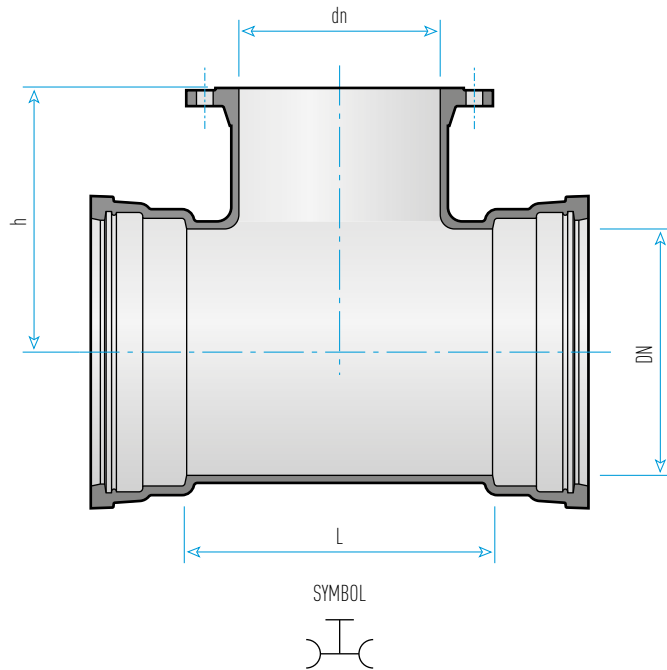


Nominal size		Dimensions	
Body DN	Branch dn	h	L
500	250	340	420
500	300	355	500
500	375	370	610
500	450	370	690
500	500	385	770
600	300	405	500
600	375	425	610
600	450	425	690
600	500	435	770
600	600	435	870
750	300	485	510
750	375	505	620
750	450	505	700
750	500	515	780
750	600	515	880
750	750	535	1070

TYTON JOINT® FITTINGS

DUCTILE IRON PIPE SYSTEMS

SOCKET-SOCKETxFLANGE TEES



Nominal size		Dimensions	
Body DN	Branch dn	h	L
375	80	350	230
375	100	350	250
375	200	375	360
375	225	390	390
375	250	390	420
375	300	415	500
375	375	415	610
450	80	390	230
450	100	390	250
450	250	430	420
450	300	455	500
450	375	485	610
450	450	495	690
500	80	415	230
500	100	415	250
500	250	455	420
500	300	485	500
500	375	510	610
500	450	520	690
500	500	550	770
600	80	470	230
600	100	470	250
600	300	535	500
600	375	565	610
600	450	575	690
600	500	600	770
600	600	615	870
750	100	550	260
750	300	615	510
750	375	645	620
750	450	655	700
750	500	680	780
750	600	695	880

Nominal size		Dimensions	
Body DN	Branch dn	h	L
100	80	180	150
100	100	180	150
150	80	185	150
150	100	190	150
150	150	210	150
200	80	250	210
200	100	250	230
200	150	275	290
200	200	275	340
225	80	265	220
225	100	265	240
225	150	290	300
225	200	290	350
225	225	305	380

Nominal size		Dimensions	
Body DN	Branch dn	h	L
250	80	280	220
250	100	280	240
250	150	305	300
250	200	305	350
250	225	320	380
300	100	310	240
300	150	335	300
300	200	335	350
300	225	350	380
300	250	350	410
300	300	375	490

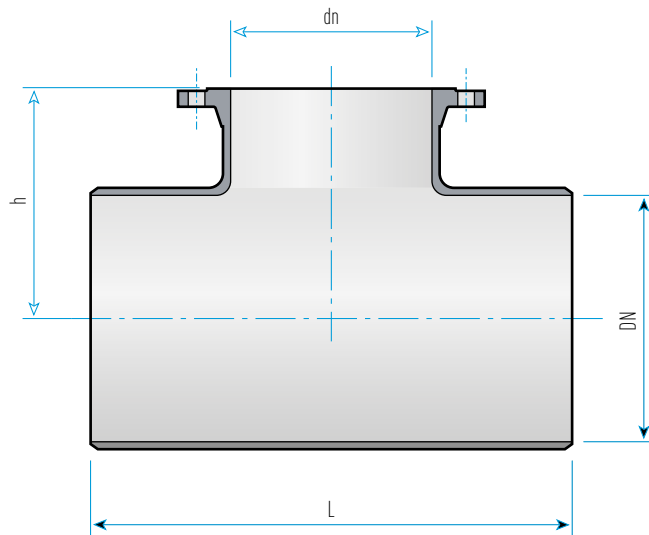
AUSLITE® fittings are highlighted in salmon

TYTON JOINT® FITTINGS

DUCTILE IRON PIPE SYSTEMS

SPIGOT-SPIGOTxFLANGE TEES

Nominal size		Dimensions	
Body DN	Branch dn	h	L
100	80	178	432
100	100	178	432
150	80	203	432
150	100	203	432
150	150	203	432
200	80	241	457
200	100	241	457
200	150	241	482
200	200	241	534
225	80	254	457
225	100	254	457
225	150	254	508
225	200	254	534
225	225	254	558
250	80	267	457
250	100	267	457
250	150	267	534
250	200	267	558
250	225	267	558
250	250	267	610
300	80	305	457
300	100	305	457
300	150	305	610
300	200	305	636
300	225	305	636
300	250	305	636
300	300	305	660



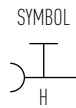
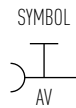
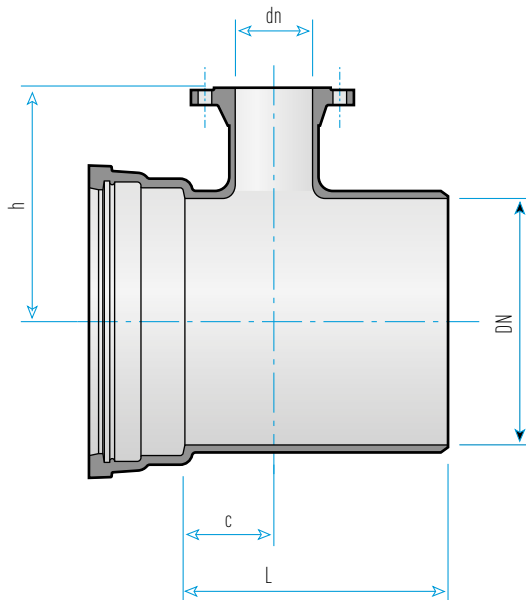
SYMBOL



TYTON JOINT® FITTINGS

DUCTILE IRON PIPE SYSTEMS

SOCKET-SPIGOTxFLANGE TEES / AIR VALVE & HYDRANT

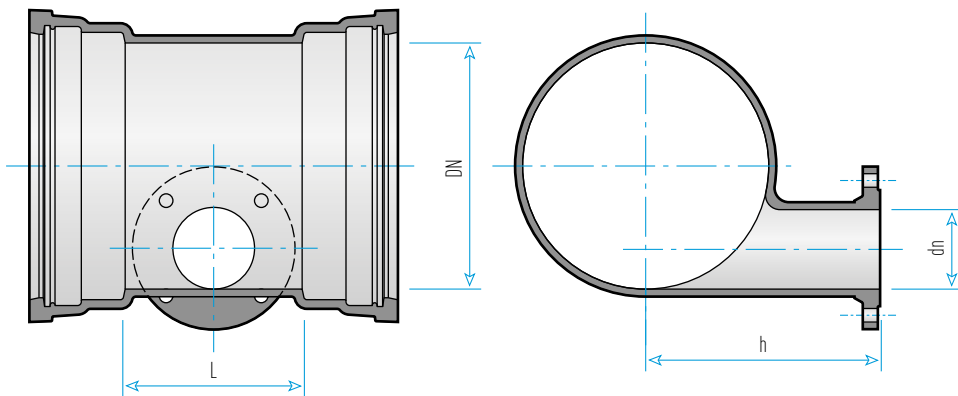


Nominal size		Dimensions		
Body DN	Branch dn	c	h	L
100	80	105	195	310
100	100	115	195	335
150	80	105	225	310
150	100	115	225	335
200	80	105	250	325
200	100	115	250	345
225	80	110	265	330
225	100	120	265	350
250	80	110	280	330
250	100	120	280	350
300	80	110	310	330
300	100	120	310	350
375	80	115	350	360
375	100	125	350	380
450	80	115	390	360
450	100	125	390	380
500	80	115	415	360
500	100	125	415	380
600	80	115	470	360
600	100	125	470	380
750	100	130	550	415

TYTON JOINT® FITTINGS

DUCTILE IRON PIPE SYSTEMS

INVERT SCOUR TEES - SOCKET-SOCKETxFLANGE



SYMBOL

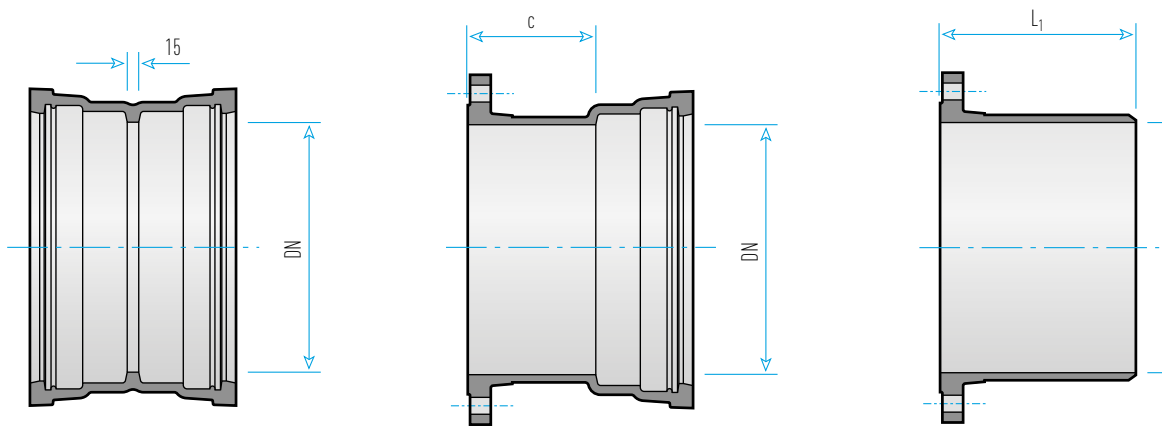


Nominal size		Dimensions	
Body DN	Branch dn	h	L
150	80	225	210
200	80	250	210
225	100	265	240
250	100	280	240
300	100	310	240
375	150	375	310
450	150	415	310
500	150	440	310
600	150	495	310
750	200	575	370

TYTON JOINT® FITTINGS

DUCTILE IRON PIPE SYSTEMS

CONNECTORS



SOCKET-SOCKET

SYMBOL



FLANGE-SOCKET

SYMBOL



FLANGE-SPIGOT

SYMBOL



Nom Size DN	Dimensions	
	c	L ₁
100	110	205
150	135	205
200	135	230
225	155	230
250	155	230
300	170	255
375	190	280
450	200	280
500	215	305
600	230	330
750	250	370

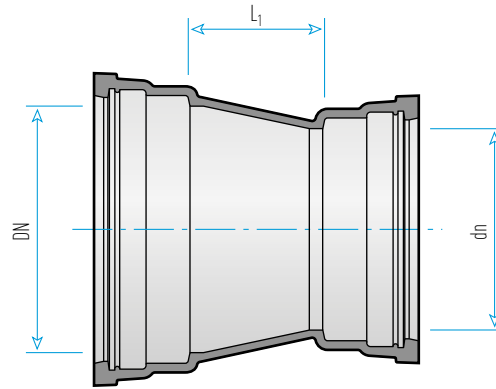
AUSLITE® fittings are highlighted in salmon

TYTON JOINT® FITTINGS

DUCTILE IRON PIPE SYSTEMS

TAPERS - SOCKET-SOCKET

Nominal Size		Dimensions
DN	dn	L ₁
150	100	170
200	100	295
200	150	170
225	100	365
225	150	235
225	200	110
250	100	425
250	150	300
250	200	175
250	225	115
300	100	555
300	150	425
300	200	300
300	225	240
300	250	180
375	200	495
375	225	435
375	250	375
375	300	245
450	250	565
450	300	435
450	375	250
500	250	690
500	300	565
500	375	380
500	450	190
600	300	820
600	375	635
600	450	440
600	500	315
750	375	1020
750	450	830
750	500	700
750	600	445



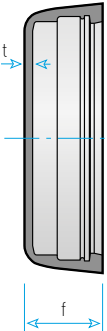
SYMBOL



TYTON JOINT® FITTINGS

DUCTILE IRON PIPE SYSTEMS

CAPS



SYMBOL



Nominal size DN	Dimensions	
	f	t
100	89	18
150	89	18
200	102	18
225	102	19
250	102	20
300	102	23
375	127	25
450	127	26
500	127	27
600	127	30
750	157	33

VIADUX PTY LTD PO BOX 141 FAIRFIELD, NEW SOUTH WALES 1860 AUSTRALIA / VIADUX.COM.AU / PHONE 1300VIADUX

All Viadux trademarks and logos are owned by Viadux Pty Ltd. All other brand or product names are trademarks or registered marks of their respective owners. Because we are continuously improving our products and services, Viadux reserves the right to change specifications without prior notice. TJF1606

