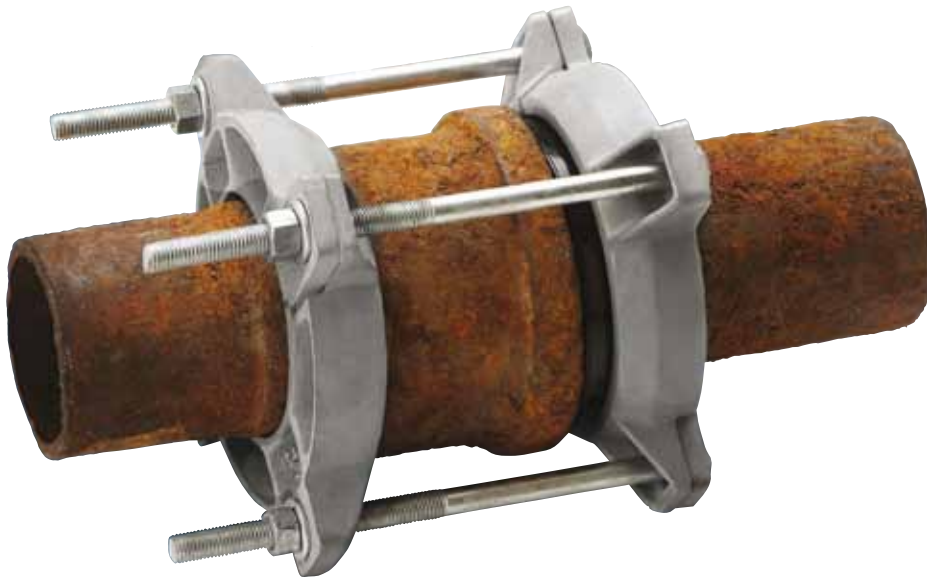




SOCKET LEAK CLAMPS

DN 80 - DN 1200

SEALS LEAKS AT THE SOCKET-SPIGOT JOINT OR COLLARS ON DUCTILE IRON, CAST IRON AND ASBESTOS CEMENT PIPES



FEATURES

Available for most DICL, CICL and AC pipes from DN 80 to DN 1200 (suit only DI pipe manufactured before 2003)

Ductile iron construction

Nitrile interlock gasket supplied to fit pipe outside diameter

The interlock gasket system eliminates the need for on-site cutting and glueing

Can be installed on a pipe under working pressure

Eliminates the need to cut out an affected socket-spigot joint

Lightweight self locking segments allow for easy installation

Available with galvanised steel or 316 stainless steel fasteners

DESCRIPTION

The socket leak clamp provides a fast and economical means of sealing or preventing leaks in the socket-spigot or collared joints of asbestos cement, ductile iron and cast iron pipes

APPLICATION

Lightweight, interlocking ring segments and gasket are built up around the pipe to create a fast and effective seal for leaking socket-spigot or collared joints, eliminating the need for costly and time consuming removal of a leaking joint

Note. Wang Socket Leak Clamps do not provide axial restraint.

TECHNICAL DATA

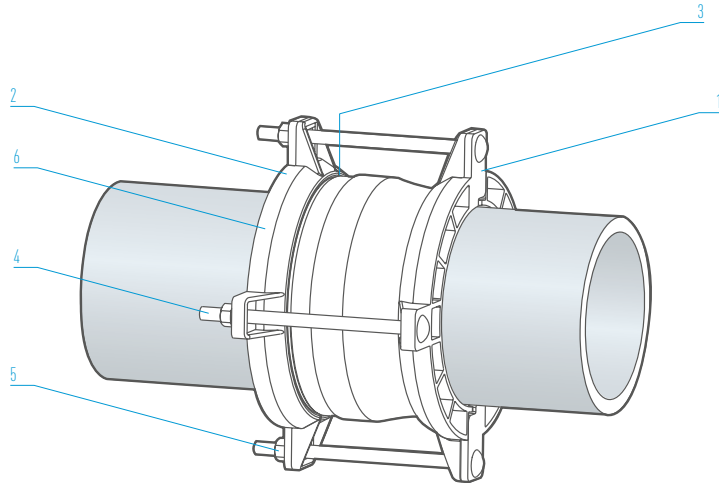
Size Range: DN 80 – DN 1200

Maximum Operating Pressure: 1600 kPa

Temperature Range: -10°C to 60°C

SOCKET LEAK CLAMPS

DN 80 - DN 1200



PARTS LIST

No.	Description / Material / Standard
1	Bell Ring Ductile Iron / AS 1831
2	Spigot Ring Ductile Iron / AS 1831
3	Interlock Gasket Nitrile (NBR) Compound / AS 1646 and AS/NZS 4020
4	Bolts Mild Steel : Galvanised / DIN 603
5	Nuts Mild Steel : Galvanised / DIN 934
6	Coating Grey Oxide paint

SOCKET LEAK CLAMP SELECTION CHART

Nom Pipe Size, DN	Product Code	OD Range mm	Clamp Segment Type	Total No. of Segments	Segments per Ring	Total No. of Bolts	Bolt Size mm
80	KSC-096	96 - 100	Split interlocking	4	2	4	M16 x 240
100	KSC-122	122 - 127	Split interlocking	4	2	4	M16 x 240
150	KSC-158	158 - 163	Split interlocking	4	2	4	M16 x 240
	KSC-175	175 - 180	Split interlocking	4	2	4	M16 x 240
200	KSC-209	209 - 212	Split interlocking	4	2	6	M16 x 240
	KSC-230	230 - 236	Split interlocking	4	2	6	M16 x 240
225	KSC-256	256 - 262	Split interlocking	4	2	6	M16 x 240
250	KSC-282	282 - 289	Split interlocking	4	2	6	M16 x 240
	KSC-320	320 - 326	Split interlocking	4	2	6	M16 x 350
300	KSC-345	345 - 355	Split interlocking	4	2	6	M16 x 300
	KSC-380	380 - 390	Split interlocking	4	2	8	M16 x 450
350	KSC-425	425 - 430	Split interlocking	4	2	8	M16 x 350
400	KSC-450	450 - 460	Split interlocking	6	3	9	M16 x 350
450	KSC-500	500 - 510	Split interlocking	8	4	12	M16 x 350
500	KSC-552	552 - 562	Split interlocking	8	4	12	M16 x 350
525	KSC-585	585 - 595	Split interlocking	8	4	12	M16 x 350
525	KSC-590	590 - 604	Split interlocking	6	3	12	M16 x 450
	KSC-616	616 - 630	Split interlocking	6	3	12	M16 x 350
600	KSC-660	660 - 670	Split interlocking	8	4	12	M16 x 350
	KSC-720	720 - 730	Split interlocking	8	4	12	M16 x 350
700	KSC-760	760 - 770	Split interlocking	8	4	12	M16 x 350
900	KSC-964	964 - 990	Segmented*	12	6	18	M16 x 450
1200	KSC-1290	1290 - 1325	Bolted*	16	8	24	M16 x 450

* Please contact Viadux if a design drawing is required for this product. Note, Socket Joint Leak Clamps come as standard with galvanised steel bolts and one interlock gasket. Please contact your Viadux Customer Centre for alternative bolt materials or where a double collar seal is required.



DISTRIBUTED BY VIADUX

ADELAIDE
P: 08 8340 3411
F: 08 8340 3422
E: ccasales@viadux.com.au

BRISBANE
P: 07 5589 4400
F: 07 5534 7079
E: ccbsales@viadux.com.au

DARWIN
P: 08 8935 3300
F: 08 8947 3981
E: ccdsales@viadux.com.au

GOLD COAST
P: 07 5589 4400
F: 07 5534 7079
E: ccgsales@viadux.com.au

MELBOURNE
P: 03 9309 9133
F: 03 9309 6237
E: ccmsales@viadux.com.au

NEWCASTLE
P: 02 4914 0700
F: 02 4966 8776
E: ccnsales@viadux.com.au

PERTH
P: 08 9346 8500
F: 08 9346 8501
E: ccpsales@viadux.com.au

SYDNEY
P: 02 9794 3440
F: 02 9794 3499
E: ccssales@viadux.com.au

TOWNSVILLE
P: 07 4725 5940
F: 07 4725 4995
E: cctsales@viadux.com.au

WANG COMPONENTS
CNR GIBSON STREET & SANDFORD ROAD, WANGARATTA, VICTORIA 3677
PHONE 03 5722 7400 / FAX 03 5722 7444

All WANG trademarks and logos are owned by Wang Components All other brand or product names are trademarks or registered marks of their respective owners Because we are continuously improving our products and services, Wang Components reserves the right to change specifications without prior notice AP0315 © 2015 Wang Components All Rights Reserved.

