



KWIK REPAIR CLAMPS

DN 15 - DN 50

QUICK INSTALLATION REPAIR CLAMPS FOR PERMANENT REPAIRS ON GALVANISED STEEL, PVC AND COPPER PIPE



FEATURES

- Full circle repair clamps for galvanised steel, PVC and copper pipelines
- Full circle gasket seal provides complete damage containment
- Available in 75mm (1 bolt) or 150mm (2 bolts) lengths
- 316 stainless steel skin
- Available with galvanised steel or 316 stainless steel fasteners
- Manufacturing facility certified to the ISO 9001 quality assured standard

DESCRIPTION

A stainless steel skin and cartridge gasket design provides a quick wrap around repair solution for small diameter pipe

Use of quality materials and robust design provide a permanent pipe repair in a variety of applications

APPLICATION

KWIK Clamps are ideal for the repair of galvanised steel, PVC and copper pipes with pinholes, punctures or splits

TECHNICAL DATA

Size Range: DN 15 – DN 50

Maximum Operating Pressure: 1600 kPa

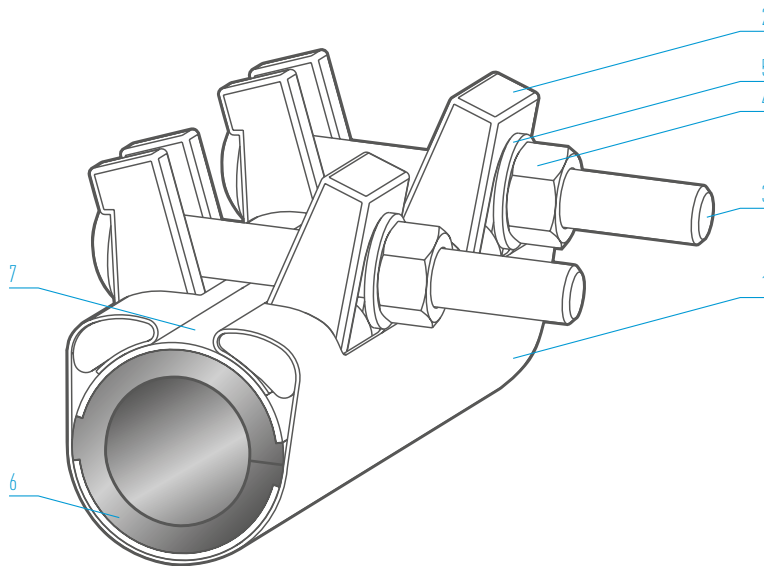
Temperature Range: -10° to 60°C

Note: WANG KWIK clamps do not provide axial pipe restraint.

WANG KWIK REPAIR CLAMPS

DN 15 - DN 50

QUICK INSTALLATION REPAIR CLAMPS FOR PERMANENT REPAIRS ON GALVANISED STEEL, PVC AND COPPER PIPE



PARTS LIST

No.	Description / Material / Standard
1	Skin 316 Stainless Steel / ASTM A240M
2	Lugs Ductile Iron (Epoxy enamel paint) / AS 1831
3	Bolts Galvanised Mild Steel or 316 Stainless Steel / DIN 603
4	Nuts Galvanised Mild Steel or 316 Stainless Steel ISO 4032/AS 1112.1
5	Washers Galvanised Mild Steel or 316 Stainless Steel / ISO 887
6	Gasket Cartridge Nitrile (NBR) Compound / AS 1646 and AS/NZS 4020
7	Gasket Armour 316 Stainless Steel bonded to gasket / ASTM A240M

PIPE SUITABILITY - PIPE OD

Nominal Size DN	15	20	25	32	40	50
Copper	15	20	25	32	40	50
Galvanised Steel	21	27	33	42	48	60
PVC	21	27	33	42	48	60

FULL CIRCLE KWIK CLAMP CONFIGURATION

Pipe	Nominal Size	Length	Number of Bolts	Bolt Size
Copper	15-50	75	1	M10
Copper	15-50	150	2	M10
Galv Steel/PVC	15-50	75	1	M10
Galv Steel/PVC	15-50	150	2	M10

TYPICAL SPECIFYING SEQUENCE

KK	F	COP	2	-	015	G
KK = Kwik Clamp Code	F = Full Circle Gasket	Pipe Suitability COP = Copper Pipe GAL = Galvanised Steel Pipe	Clamp Length 1 = 1 Bolt, 75mm Wide 2 = 2 Bolt, 150mm Wide	Dash	Nominal Pipe Size DN 15 = 015 DN 20 = 020 DN 25 = 025 DN 32 = 032 DN 40 = 040 DN 50 = 050	Fastener Material G = Galvanised Steel (Standard) S = Stainless Steel (Optional)



DISTRIBUTED BY VIADUX

ADELAIDE
P: 08 8340 3411
F: 08 8340 3422
E: cca.sales@viadux .com.au

BRISBANE
P: 07 5589 4400
F: 07 5534 7079
E: ccb.sales@viadux .com.au

DARWIN
P: 08 8935 3300
F: 08 8947 3981
E: ccd.sales@viadux .com.au

GOLD COAST
P: 07 5589 4400
F: 07 5534 7079
E: ccg.sales@viadux .com.au

MELBOURNE
P: 03 9309 9133
F: 03 9309 6237
E: ccm.sales@viadux .com.au

NEWCASTLE
P: 02 4914 0700
F: 02 4966 8776
E: ccn.sales@viadux .com.au

PERTH
P: 08 9346 8500
F: 08 9346 8501
E: ccp.sales@viadux .com.au

SYDNEY
P: 02 9794 3440
F: 02 9794 3499
E: ccs.sales@viadux .com.au

TOWNSVILLE
P: 07 4725 5940
F: 07 4725 4995
E: cct.sales@viadux .com.au

WANG COMPONENTS

CNR GIBSON STREET & SANDFORD ROAD, WANGARATTA, VICTORIA 3677
PHONE 03 5722 7400 / FAX 03 5722 7444

All WANG trademarks and logos are owned by Wang Components. All other brand or product names are trademarks or registered marks of their respective owners. Because we are continuously improving our products and services, Wang Components reserves the right to change specifications without prior notice.
AP0315 © 2015 Wang Components. All Rights Reserved .

